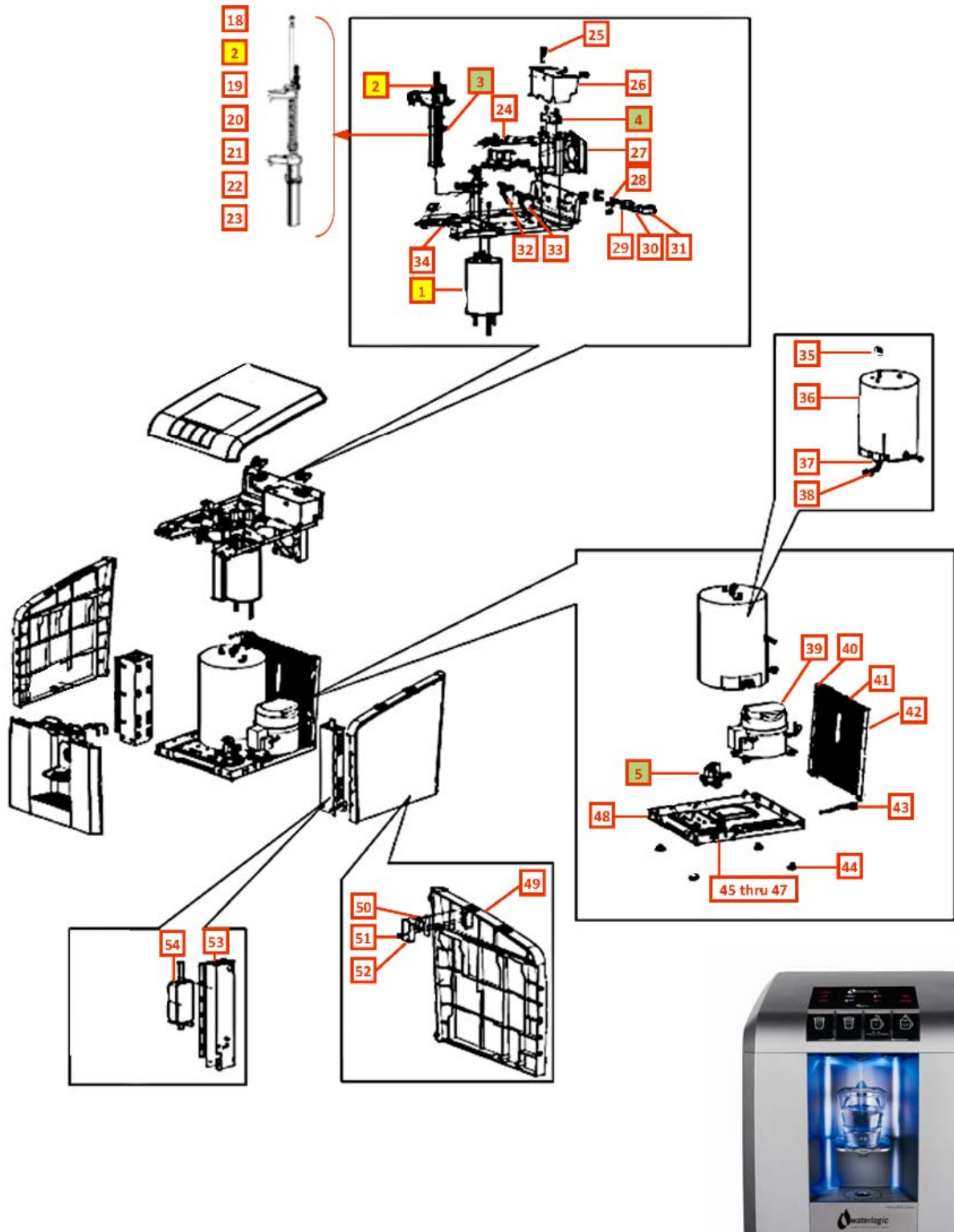
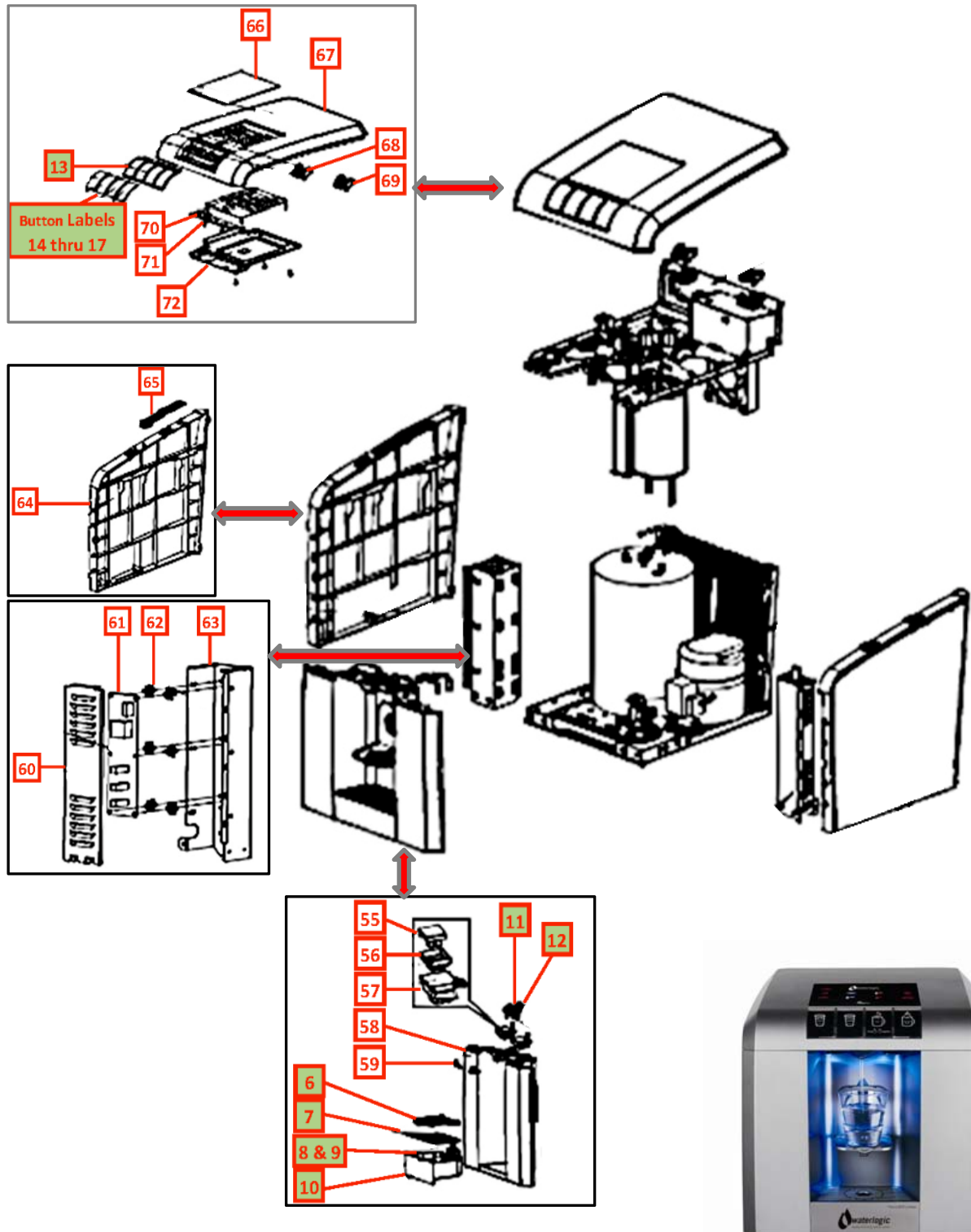


## WL400 COUNTER TOP MAIN PARTS DRAWING AND PARTS LIST






## WL400 COUNTER TOP MAIN PARTS DRAWING AND PARTS LIST



## WL400 COUNTER TOP MAIN PARTS DRAWING AND PARTS LIST

No	WLCP Part No.	Description	Part No	Stocked?	
<b>Consumables</b>					
1	HT-3037-A	1.2L 120V 500W Steel Hot Tank	HT-3037-A	Yes	
2	10-8075	13W UV Lamp Assembly	CT-2090-C	Yes	
Not Shown	10-8061	RO Membrane Kit - Includes: 15-3001 RO Membrane, 15-3020 RO Membrane Housing, 2 each JG 480821S Fittings, and RO Membrane Instructions.	NA	Yes	
Not Shown	15-3001	RO Membrane	NA	Yes	
Not Shown	15-3020	RO Membrane Housing	NA	Yes	
Not Shown	10-8050	RO Sediment Filter	RO-0001-A	Yes	
Not Shown	10-8055	RO Pre-Carbon Filter	RO-0002-A	Yes	
Not Shown	10-8065	RO Post Carbon Filter	RO-0005-A	Yes	
Not Shown	01-2076	Scale Kleen	NA	Yes	
<b>Recommended Spare Parts</b>					
3	AK-0064	UVC Sensor	AK-0064	Yes	
4	NA	Ballast	EL-0010-L00-00	No	
5	PU-4016-C	Solenoid Valve DC24V FS Bitron	PU-4016-C	Yes	

5.1	CU-0001	Solenoid Cushion	CU-0001	Yes	
6	PL-1344-A	Adjustable Cup Tray	PL-1344-A	Yes	
7	PL-1320-A	Drip Tray Grill - Silver	PL-1320-A	Yes	
8	ST-8267-C	Drip Tray Sensor Pin - Left	ST-8267-C	Yes	
9	ST-8267-D	Drip Tray Sensor Pin - Right	ST-8267-D	Yes	
10	PL-1319-F	Drip Tray Body – Silver	PL-1319-F	Yes	
11	PL-1354	Firewall Hot Water Faucet	PL-1354	Yes	
12	PL-1354-A	Firewall Hot Water Faucet Insert Pipe	PL-1354-A	Yes	
13	PL-1323	Button Panel	PL-1323	Yes	
14	LP-7310	Cold Button Label	LP-7310	Yes	
15	LP-7311	Ambient Button Label	LP-7311	Yes	




16	LP-7312	Hot Button Label	LP-7312	Yes	
17	LP-7313	Extra Hot Button Label	LP-7313	Yes	
<b>Remaining Parts</b>					
18	10-8085	UV Lamp Fixing Rubber (Silicon)	CT-2001-B	Yes	
19	10-3095	CDS Fixing Rubber (Silicon)	CT-2010	Yes	
20	10-8095	Firewall UV Lamp Fixing Rubber	CT-2078-A	Yes	
21	10-8090	Spiral Quartz Spacer	CT-2077-A	Yes	
22	10-8080	Quartz Spiral for Firewall	FU-0007-A	Yes	
23	FU-0009-A	Firewall Assembly	FU-0009-A	Yes	
24	ST-8300	Firewall Fixing Bracket	ST-8300	Yes	
25	10-3014	Fuse Holder and Fuse 120V / 15A with One Wire	EL-5053	Yes	
26	ST-8283	Electronics Cover Bracket	ST-8283	Yes	
27	10-1500	Fan Motor 110V (AC Axial fan)	CT-2011	Yes	

27.1	NA	Fan Bracket	ST-8265	No	
28	10-3067	Bulkhead Union 1/4" x 1/4" John Guest P/N PI1208S	PU-4028	Yes	
29	10-4013	Socket with ElectroMagnetic Interference Filter (EMI)	EL-5016	Yes	
30	10-3008	Red Compressor and Heater Switch	EL-5004	Yes	
31	10-3009	Green Power Switch	EL-5005	Yes	
32	PL-1330	Back Panel Hinge (A-4)	PL-1330	Yes	
33	PL-1331	Back Panel Hinge (A-1)	PL-1331	Yes	
34	NA	Upper Shelf / Back Panel	ST-8259-H	No	
34.1	PL-1336	Upper Panel Wire Route Hole Silicon Cover	PL-1336	Yes	
35	Purchase from John Guest	JG Equal Elbow Connector 1/4" (PI0308S)	PU-4008	Purchase from John Guest	
36	NA	Cold Tank	CT-2072-A	No	
37	PU-4140	JG End Stop 1/4" (PI4608S)	PU-4140	No	
38	PU-4011-A	JG Equal Tee Connector 1/4" (PI0208S)	PU-4011-A	No	
39	10-2200	Compressor (R134a 1/8HP) 110V/60Hz	CO-9001-A	Yes	
39.1	10-3003	Compressor Starter Relay	CO-9016	Yes	

39.2	10-5018	Compressor Overload (LG Compressor)	CO-9015	Yes	
40	NA	Mini Front Support Frame - Left	ST-8255	No	
41	NA	Wire Condenser	CO-9041		
41.1	12-1001	Filter Dryer	CO-9008	Yes	
42	NA	Mini Front Support Frame - Right	ST-8256	No	
43	14-5011	Drain Valve & Cap 5/16"	CT-2028 and CT-2031-A	Yes	
44	12-3150	Unit Rubber Feet	PL-1251-CN	Yes	
45	PL-1375	Leak Containment Tray	PL-1375	Yes	
46	PL-1311	Leak Detection Sensor Bracket	PL-1311	Yes	
47	12-3180	Leak Containment Tray Clip (sensor 0.5mm)	ST-8207-CN	Yes	
48	NA	Mini Bottom Shelf	ST-8258	No	
49	PL-1327	Mini Side Panel - Right	PL-1327	Yes	
50	ST-8286	Micro Switch Metal Cover	ST-8286	Yes	
51	PL-1329	Safety Micro Switch Cover	PL-1329	Yes	
52	14-5006	Micro Door Lock S/W only	EL-5027	No	
53	NA	Adaptor Holding Bracket	ST-8261	No	

54	EL-5128	Power Adaptor with Fixing Bracket	EL-5128	Yes	
55	EN-6119	LED PCB	EN-6119	Yes	
56	PL-1335	LED PCB Holder Sealing Rubber	PL-1335	Yes	
57	NA	LED Holding Plate	PL-1318	No	
58	PL-1312-C	Front Upper Panel - Silver	PL-1312-C	Yes	
59	PL-1317	Top Cover Lock with screw hole	PL-1317	Yes	
60	NA	Main PCB Metal Cover	ST-8285	No	
61	EN-6137	Main PCB	EN-6137	Yes	
62	10-3017	Plastic PCB Support	EN-6059	Yes	
63	NA	PCB Holder Bracket	ST-8260	No	
64	PL-1321	Top Cover Safety Support	PL-1321	Yes	
65	PL-1328	Mini Side Panel - Left	PL-1328	Yes	
66	PL-1337-E	LCD Cover Panel (Word Printed for Each Icon)	PL-1337-E	Yes	
67	PL-1322-C	Silver Top Cover with Firewall Logo	PL-1322-C	Yes	
68	PL-1332	Back Panel Hinge (A-2)	PL-1332	Yes	
69	PL-1333	Back Panel Hinge (A-3)	PL-1333	Yes	
70	EN-6118	Dispense PCB	EN-6118	Yes	



71	EN-6136	Display PCB	EN-6136	Yes	
72	PL-1334	PCB Cover	PL-1334	Yes	
Not shown	PU-4031	JG LLD PE Tube - Blue O.D.1/4"John Guest P/N PE-08-BI-1000F-B	PU-4031	No	
Not shown	10-7040	Silicon Tube 5/16" for hot water	PU-4064	Yes	
Not Shown	10-3007	Power Cord 120V – 1825 mm	EL-5001-B	Yes	