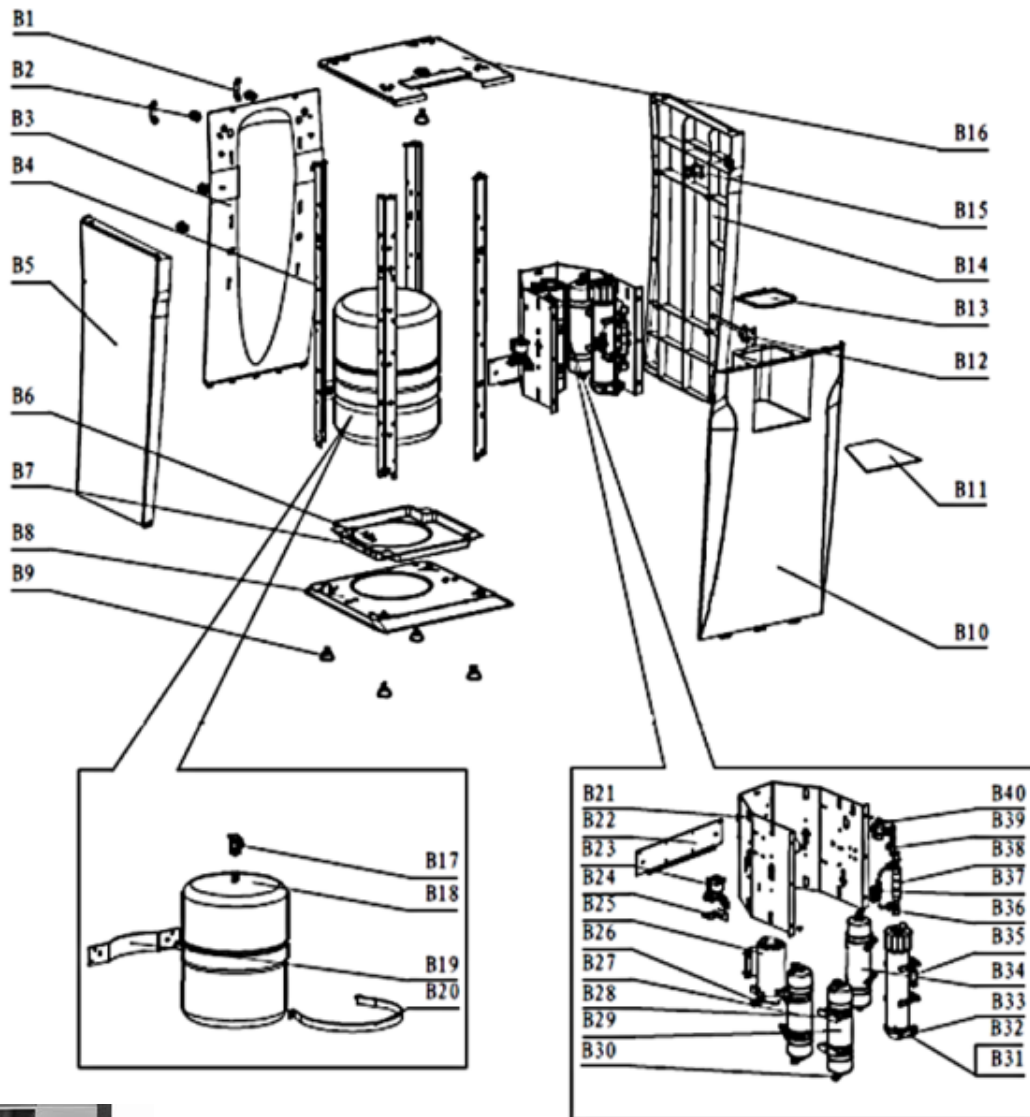


WL400 BASE MAIN PARTS DRAWING AND PARTS LIST



WL400 BASE LAYOUT DRAWING AND PARTS LIST

No	Part No	Description	WLCP Part No	Stocked?
B1	ST-8342	Fixing Bracket – Base Cabinet Back Panel	NA	No
B2	PU-4028	JG Bulkhead Connector Union 1/4" * 1/4"(PI1208S)	10-3067	Yes
B2.1	AK-0014-B	1.8mm Flow Restrictor	NA	Yes
B3	ST-8273	Base Cabinet Back Panel	NA	No
B4	ST-8270	Base Cabinet Support Frame	NA	No
B5	PL-1339	Base Cabinet Plastic Side Panel-L	PL-1339	Yes
B6	ST-8207CN	Leak containment tray Clip (sensor 0.5mm)	12-3180	Yes
B7	PL-1375	RO Base Cabinet Leak Containment Tray	PL-1375	Yes
B8	ST-8269	Base Cabinet Down Base	NA	No
B9	ST-8016	Unit Control Rubber Feet	10-3083	Yes
B10	PL-1341-A	Base Cabinet Front Down Panel Silver	PL-1341-A	Yes
B11	ST-8336	Cup Dispenser Hole Metal Cover	ST-8336	Yes
B12	ST-8272	Base Cabinet Door Lock Bracket	ST-8272	Yes
B13	PL-1343	Base Cabinet Cup Dispenser Cover	PL-1343	Yes
B14	PL-1340	Base Cabinet Plastic Side Panel-R	PL-1340	Yes
B15	PL-1342	Base Cabinet Door Lock Cover	PL-1342	Yes
B16	ST-8268	Base Cabinet Upper Shelf	NA	No
B17	PU-4082	HG Shut Off Valve NPT 5/16" * 1/4" (PPSV00822W)	12-6102	Yes
B18	CT-2056-A	RO Bladder Tank – 4 Gallons	CT-2056-A	Yes
B19	ST-8337	RO Bladder Tank (4 Gallon) holding bracket 1	ST-8337	Yes
B20	ST-8338	RO Bladder Tank (4 Gallon) holding bracket 2	ST-8338	Yes
B21	ST-8333	RO filter bracket	ST-8333	Yes
B22	ST-8334	RO filter bracket support	ST-8334	Yes
B23	PU-4017-B	Hot and Cold Solenoid Valve DC24 300mm Wire	PU-4017-B	Yes
B24	ST-8300	Firewall C&S Fixing Bracket to Upper Shelf	ST-8300	Yes
B25	CT-2035-E	Water Pressure Pump DC24	10-7235	Yes
B26	PU-4010	JG Equal Straight Connector 1/4"(PI0408S)	NA	No
B27	RO-0002-A	Pre-Carbon Filter – Micro	10-8055	Yes
B28	PU-4024	3" Filter Clip	10-3099	Yes

B29	RO-0001-A	Sediment Filter – Micro	10-8050	Yes
B30	PU-4008	JG Equal Elbow Connector 1/4" (PI0308S)	NA	No
B31	RO-0003-A	RO Housing Micro	RO-0003-A	Yes
B32	NA	RO Membrane 100 GPD – Micro Filter	NA	No
B33	RO-0006-A	1/4" Rigid Elbow for RO Housing Micro	RO-0006-A	Yes
B34	RO-0005-A	Post Carbon Filter – Micro	10-8065	Yes
B35	PU-4082	HG Shut Off Valve NPT 5/16" * 1/4" (PPSV00822W)	12-6102	Yes
B36	RO-0009-A	T-Connect (2) Micro	RO-0009-A	Yes
B37	RO-0010-A	Flushing Valve – Micro	RO-0010-A	Yes
B38	RO-0011	Flow Restrictor – Micro	RO-0011	Yes
B39	PU-4011	JG Bulkhead Connector Union 1/4" * 1/4" (PI1208S)	NA	Purchase from John Guest
B40	RO-0024	High Pressure Switch	RO-0024	Yes
Not Shown	EL-5001-B	Power Cord	10-3007	Yes