

SERVICE REQUIREMENTS

⚠ WARNING! *Read and understand the contents of this manual before attempting to service WL380. Failure to follow the instructions in this manual could result in death, serious personal injury, or severe property damage. Only trained and qualified technicians should attempt to install, maintain, or service Waterlogic Equipment.*

1. Visually inspect all electrical and water connections for signs of wear or damage.

⚠ DANGER! ***HIGH VOLTAGE ELECTRICAL HAZARD.** Always unplug before inspection and service.*

2. **Waterlogic** recommends changing the UV Lamp (CT-2090) every 6 months under normal single shift usage. The lamp may require more frequent changes if placed in high volume/multi-shift environment. Contact Waterlogic for specific recommendations.

UV DECLARATION: The UV Lamp in this appliance conforms to the applicable provisions in the Code of Federal Regulations(CFR) requirements including; Title 21, Chapter 1, Subchapter J, Radiological Health.

⚠ WARNING! ***ULTRAVIOLET RADIATION.** Protect your skin and eyes against ultraviolet rays. Never look directly at an operating UV light in the faucet. Disconnect before removing UV Lamp.*

3. Clean the quartz spiral that surrounds the UV lamp with a non-abrasive cloth, descaling solution, or ultrasonic bath if needed when changing UV lamps. Inspect the Firewall housing for or wear or damage and replace as necessary.

⚠ CAUTION! ***UV SYSTEM IS FRAGILE.** Never handle the UV lamp or Quartz Spiral with bare hands. UV Lamp and quartz sleeve must be free of oils and contaminants to ensure proper operation. Use a soft non-abrasive cloth to clean.*

4. Test Firewall UV system by unplugging the lamp. 20 second audible alarm and Firewall light should go out. Cold and Ambient icons should be disabled.

5. The filters should be replaced every 6 months or 1250 gallons, whichever comes first. Local water conditions will dictate your exact filter requirements and service intervals. Flush filters per manufacturer's recommendations to rinse carbon fines. Do not rinse the filters through the unit solenoid valve(s) and tanks if at all possible to avoid contamination.

6. Ensure there is adequate (minimum of 2") clearance around the unit and clean the condenser grill and compressor fan to provide efficient cooling system operation.

7. Test the leak detection function. Short sensor pins together to enable alarm. Reboot to clear alarm.

8. Clean and sanitize the drip tray and drip tray grille. Replace if needed.

9. Sanitize the cold and ambient circuits annually per instructions in the pre-installation procedures.

10. Clean and sanitize external surfaces of the unit. Use soap and water or chemicals that are compatible with ABS plastic and will not damage or degrade the product surfaces.

DESCALING the HOT TANK

11. The hot tank requires removal of mineral deposits (descaling) on a regular basis, depending upon filtration and local water conditions. Descaling is an important process that removes calcium deposits, or scale, that can build up inside a tank over time. Calcium and scale is non-toxic but left unattended, it will hinder your unit's performance.

Hot Tank Troubleshooting: Hot water intermittently forced out through the faucet is an indicator that descaling is needed. This occurs when scale has deposited on the expansion slot inside the hot tank vent chamber and blocks the normal path for water to expand.

Descaling in hard water environments should take place every 6 to 12 months to preserve the long-term health of your unit if not using reverse osmosis or equivalent filtration to remove hardness.

Use non-toxic cleaner such as ScaleKleen, DEZCAL, 20% Citric Acid Solution, or Undiluted Vinegar Solution to remove mineral deposits as directed by the manufacturer.

- ⚠ WARNING! PERSONAL PROTECTIVE EQUIPMENT REQUIRED.** *Always ensure proper ventilation and use rubber or nitrile gloves and eye protection when using chemicals. Refer to Material Safety Data Sheet for specific requirements of each product.*
- ⚠ CAUTION! STAINLESS STEEL HOT TANK DESCALING.** *The hot tank is made from stainless steel. Ensure descaling solution is compatible with stainless and always flush the unit completely to prevent damage. Dispose in an environmentally safe manner.*
- ⚠ WARNING! HOT WATER HAZARD.** *Unit Produces Very Hot Water and Steam. Always use insulated and chemically compatible containers and let unit cool down before draining the hot tank to avoid injury.*

12. Always check with users to ensure unit is performing to the customer's expectation.

- ⚠ WARNING! REINSTALL ALL PANELS AND COVERS.** *Always reinstall all panels, protective covers, and fasteners after servicing equipment. Failure to do so could result in severe personal injury and will void the certifications and warranty of the equipment.*

For additional information and updates visit <http://techportal.waterlogic.com>

Contact Waterlogic for assistance or help finding an authorized service representative.

REPLACEMENT COMPONENTS

| Component | WLCP No. | Recommended Replacement Frequency |
|---|----------|--|
| UV Lamp - 13W Watts Assembly | 10-8750 | Every 6 months (typical single shift, or as required) Factory PN CT-2090-A |
| GAC Filter - 10" Carbon Activated Inline Filter - <i>Optional</i> | FT-0035 | Every 6-months or as required. Local water conditions will determine proper filter type and maintenance schedule. Factory PN FT-0035-IL-WLT |
| Carbon Block - 10" CBC 1 Micron Lead and Cyst Reduction Inline Filter – <i>Optional</i> | FT-0063 | Every 6-months or as required. Local water conditions will determine proper filter type and maintenance schedule. Factory PN FT-0063-IL-WLT |
| Sediment Block - 10" Sediment 20 Micron Inline Filter - <i>Optional</i> | FT-0053 | Every 6-months or as required. Local water conditions will determine proper filter type and maintenance schedule. Factory PN FT-0053-IL-WLT |

Replacement parts can be obtained from *Waterlogic* or an *Authorized Waterlogic Dealer*. See Parts Layouts, Drawings, and Lists for additional repair parts.

Hot Tank Service

Hot Tanks (with controls) must be replaced at least every Replace every 3-5 years depending on usage. Descaling hot tank may be required on a regular basis depending upon filtration and local water conditions. See Service Section.

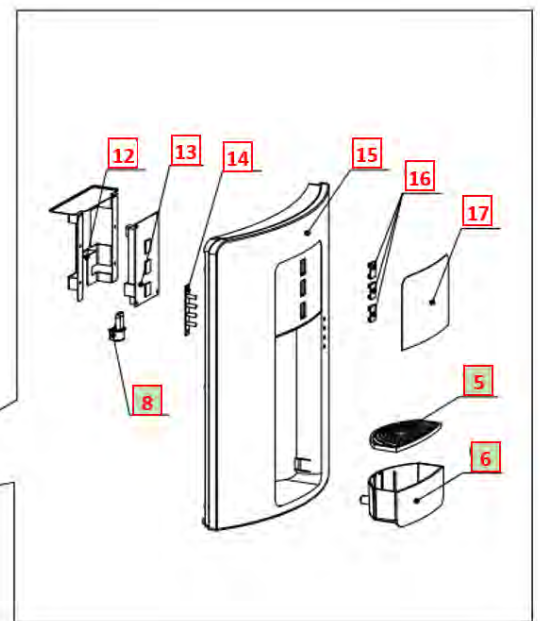
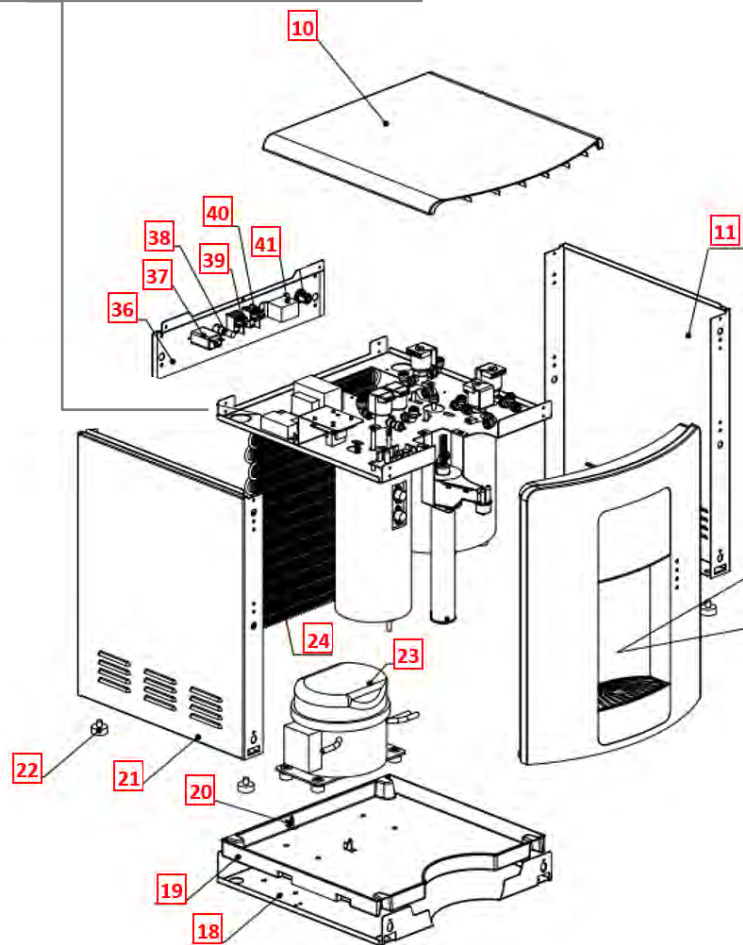
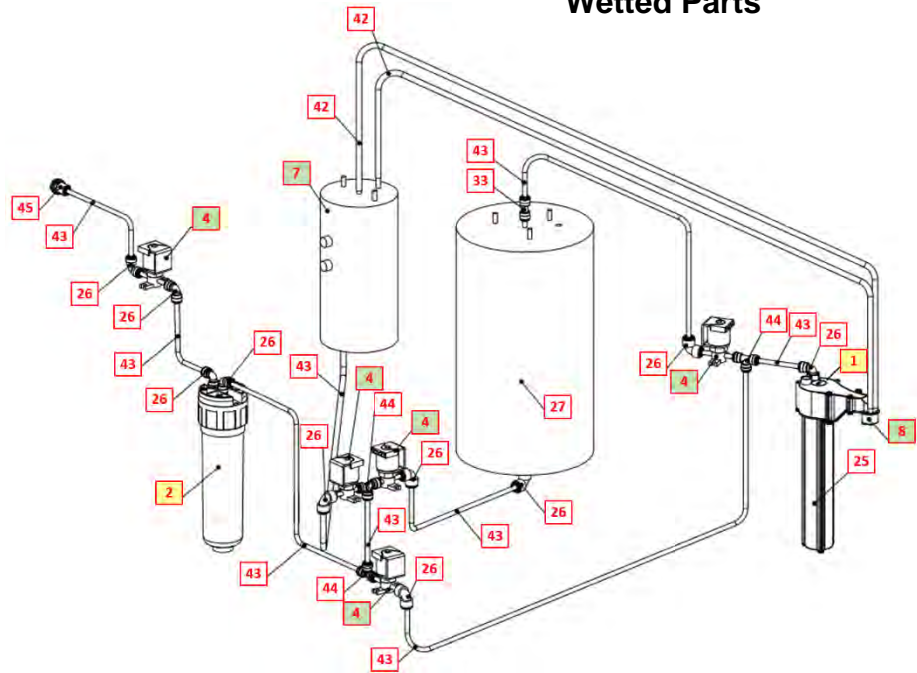
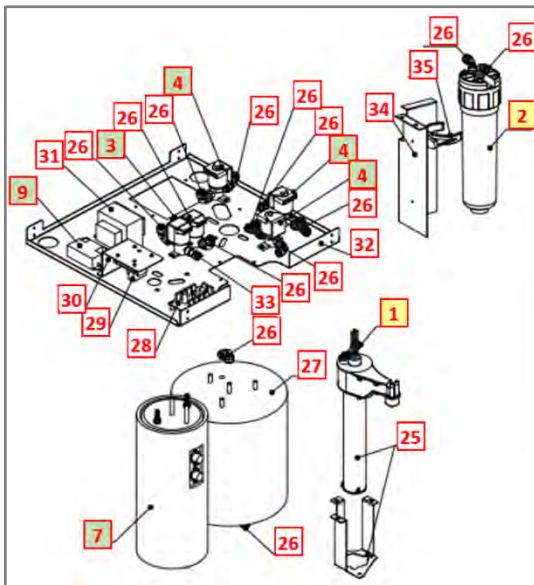
NOTE:

At the **end of this product's life**, ensure that it is disposed of in an environmentally friendly manner which is fully compliant **with all Federal/State/Local Requirements and Guidelines**.

WL380 COUNTERTOP PARTS LIST

Yellow = Consumables
 Green = Recommended spare parts

Wetted Parts



| No | Part No | Description | WLCP Part No. | Stocked? | |
|--------------------------------|----------------|--|----------------|----------|---|
| Consumables | | | | | |
| 1 | 10-8075 | 13W UV Lamp Assembly | CT-2090-C | Yes |  |
| 2 | FT-0035-IL-WLT | GAC Filter - 10" Carbon Activated Inline Filter – Optional | FT-0035 | Yes |  |
| | FT-0063-IL-WLT | Carbon Block - 10" CBC 1 Micron Lead and Cyst Reduction Inline Filter – Optional | FT-0063 | Yes |  |
| | FT-0053-IL-WLT | Sediment Block - 10" Sediment 20 Micron Inline Filter – Optional | FT-0053 | Yes |  |
| Recommended Spare Parts | | | | | |
| 3 | 10-7060 | Double Solenoid Valve <i>Recommend stocking 2 each per every 10 units purchased</i> | PU-4056-B | Yes |  |
| 4 | 12-1500 | Solenoid Valve DC24V 1000mm <i>Recommend stocking 2 each per every 10 units purchased</i> | PU-4016 | Yes |  |
| 4.1 | CU-0001 | Solenoid Cushion <i>Recommend stocking 2 each per every 10 units purchased</i> | CU-0001 | Yes |  |
| 5 | NA | Drip Tray Grill <i>Recommend stocking 4 each per every 10 units purchased</i> | PL-0029-L00-BL | No |  |
| 6 | NA | Drip Tray Body <i>Recommend stocking 4 each per every 10 units purchased</i> | PL-0049-L00-BL | No |  |
| 7 | 10-4029 | Hot Tank (Pipe) 120V/500W - UVF2 1.6L with thermistor <i>Recommend stocking 2 each per every 10 units purchased</i> | HT-3024 | Yes |  |
| 7.1 | 12-1360 | Overload with Manual reset - 221° F (105° C) <i>Recommend stocking 2 each per every 10 units purchased</i> | HT-3012 | Yes |  |
| 8 | NA | Hot Water Faucet <i>Recommend stocking 2 each per every 10 units purchased</i> | PL-1382 | No |  |

| | | | | | |
|------------------------|---------|---|----------------|-----|---|
| 9 | 12-8315 | UV 15 W 120V/60Hz Electronic Ballast <i>Recommend stocking 2 each per every 10 units purchased</i> | EN-0008-L01-00 | Yes |  |
| Not Shown | 01-2076 | ScaleKleen <i>Recommend stocking 2 each per every 10 units purchased</i> | NA | Yes |  |
| Remaining Parts | | | | | |
| 10 | NA | Black Top Cover | PL-0056-L00-BL | No | |
| 11 | NA | Right Side Panel | ST-8030 | No | |
| 12 | NA | Display PCB Cover Bracket | ST-8340 | No |  |
| 13 | NA | Display PCB | EN-0024-L00-00 | No |  |
| 14 | NA | LED PCB | EN-6139 | No |  |
| 15 | NA | Black Top Front Panel | PL-0017-L00-BL | No |  |
| 16 | NA | Top Front Button Cover | PL-1379 | No | |
| 17 | NA | Hot - Cold - Ambient Label | LP-0309-L00-00 | No |  |
| 18 | NA | Bottom Shelf | ST-8036 | No | |
| 19 | NA | Leak Tray | PL-1308 | No | |
| 20 | 12-3180 | Leak Containment Tray Clip (sensor 0.5mm) | ST-8207-CN | Yes |  |
| 21 | NA | Left Side Panel | ST-8030A | No | |

| | | | | | |
|------|--------------------------|---|----------------|-----|---|
| 22 | 10-3083 | Unit Rubber Feet | ST-8016 | Yes |  |
| 23 | 10-2200 | Compressor (R134a 1/8HP) 110V/60Hz | CO-9001-A | Yes |  |
| 23.1 | 10-3003 | Compressor Starter Relay | CO-9016 | Yes |  |
| 23.2 | 10-5018 | Compressor Overload | CO-9015 | Yes |  |
| 23.3 | 12-1001 | Filter Dryer | CO-9008 | Yes |  |
| 24 | NA | Wire Condenser | CO-9014 | No | |
| 25 | NA | Firewall Assembly | FW-0065-L00-00 | No | |
| 25.1 | NA | Firewall Bracket | FU-0002-B | No |  |
| 25.2 | FW-0008-L00-00 | Quartz Spiral – 22 Turns | FW-0008-L00-00 | Yes |  |
| 25.3 | NA | Firewall UV Fixing Rubber (Bung) | CT-2078-B | No |  |
| 25.4 | AK-0064 | UVC Sensor with Wire | AK-0064 | Yes |  |
| 25.5 | NA | Spiral Rubber Buffer | FW-0021-L00-00 | No | |
| 25.6 | NA | UVC Sensor Fixing Bracket | FU-0012 | No |  |
| 26 | Purchase from John Guest | JG Equal Elbow Connector 1/4" (PI0308S) | PU-4008-A | No |  |
| 27 | NA | 2 Liter Cold Tank | CT-0002-I00-00 | No | |

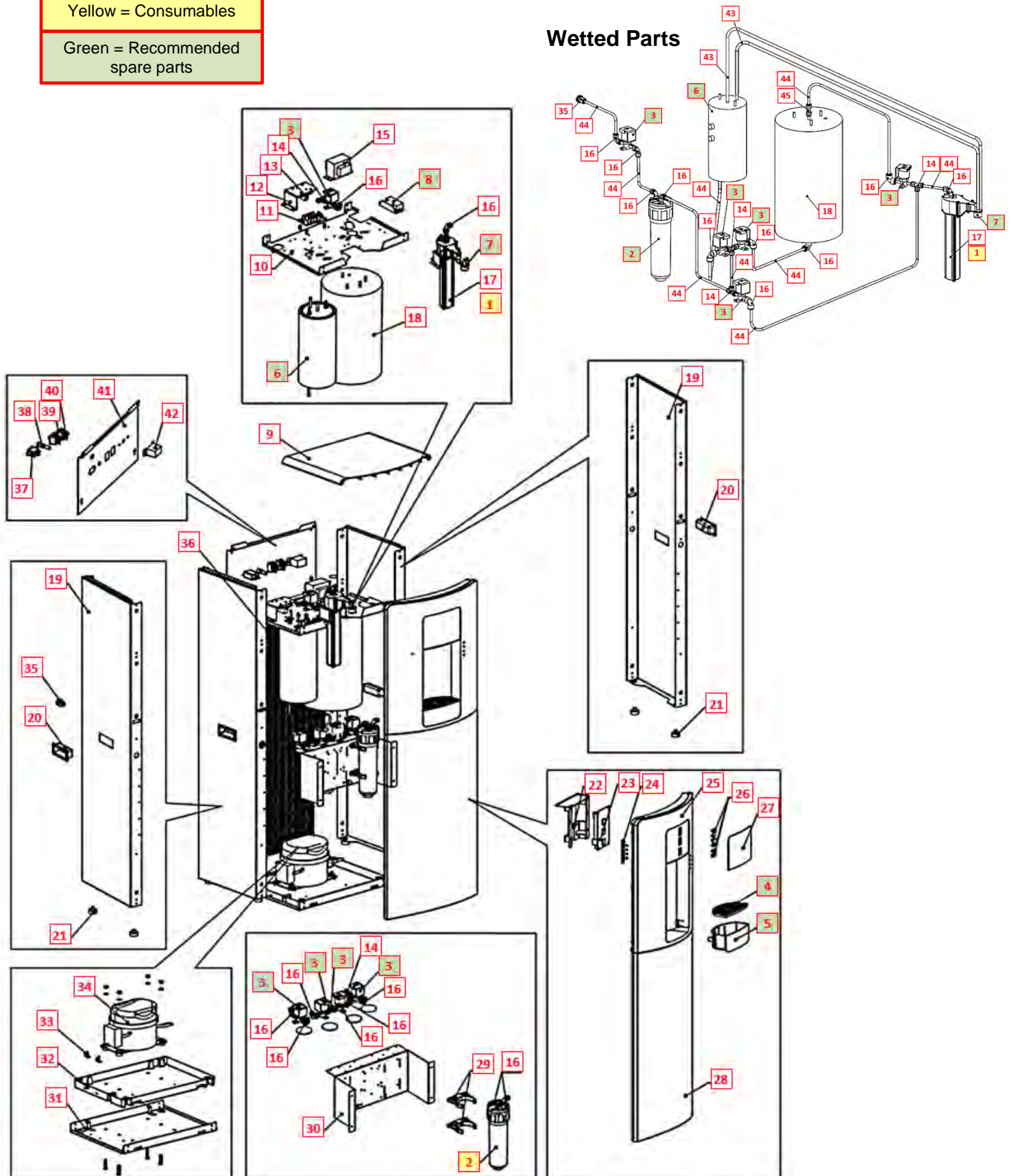
| | | | | | |
|------|--------------------------|---|----------------|-----|--|
| 28 | NA | Leak Detection PCB | EN-6111-A | No |  |
| 29 | NA | Relay PCB | EN-0010-L00-00 | No |  |
| 30 | NA | 3minutes UV Timer PCB Fixing Bracket | ST-8287 | No |  |
| 31 | No | Power Transformer | EL-0016-L00-00 | Yes |  |
| 32 | NA | Upper Shelf | ST-0064-L00-00 | No | |
| 33 | Purchase from John Guest | JG Equal Straight Connector 1/4"(PI0408S) | PU-4010 | No |  |
| 34 | NA | Filter Bracket | PU-4040 | No | |
| 35 | 20-1010 | 2.8" Filter Clip | PU-4161 | Yes |  |
| 36 | NA | Back Panel | ST-0072-L00-BL | No | |
| 37 | NA | Power Socket | EL-0061-L00-00 | No |  |
| 37.1 | 19-1015 | Gasket for Power Socket | ST-8052 | Yes |  |
| 38 | EL-5053 | Fuse Holder and Fuse 120V / 15A with One Wire | EL-5053 | Yes |  |
| 38.1 | 10-3013 | Fuse 120V / 15A | EL-5010 | Yes |  |

| | | | | | |
|-----------|--------------------------|---|-----------|-----|---|
| 39 | 12-5600 | Red Heater and Compressor Switch | EL-5019-A | Yes |  |
| 40 | 10-3009 | Switch - Heater/Compressor | EL-5005 | Yes |  |
| 41 | 19-1069 | Cold Tank Thermostat | CT-2070-A | Yes |  |
| 42 | 10-7040 | Silicon Tube 5/16" for hot water | PU-4064 | Yes |  |
| 43 | Purchase from John Guest | JG LLD PE Tube - Blue O.D.1/4" John Guest P/N PE-08-BI-1000F-B | PU-4031-A | No |  |
| 44 | Purchase from John Guest | JG Equal Tee Connector 1/4" (PI0208S) | PU-4011 | No |  |
| 45 | 10-3067 | Bulkhead Union 1/4" x 1/4" John Guest P/N PI1208S | PU-4028-A | Yes |  |
| Not Shown | AK-0014-B | Flow Restrictor 1.8mm Hole <u>Before inlet to Cold Tank</u> | AK-0014-B | Yes |  |
| Not Shown | 10-3007 | Power Cord 120V – 1840 mm | EL-5001-B | Yes |  |

WL380 TOWER PARTS DRAWING

Yellow = Consumables
Green = Recommended spare parts

Wetted Parts



WL380 TOWER PARTS LIST

| No | Part No | Description | WLCP Part No. | Stocked? | |
|--------------------------------|----------------|--|--------------------|----------|---|
| Consumables | | | | | |
| 1 | 10-8075 | 13W UV Lamp Assembly | CT-2090-C | Yes |  |
| 2 | FT-0035-IL-WLT | GAC Filter - 10" Carbon Activated Inline Filter – <i>Optional</i> | FT-0035 | Yes |  |
| | FT-0063-IL-WLT | Carbon Block - 10" CBC 1 Micron Lead and Cyst Reduction Inline Filter – <i>Optional</i> | FT-0063 | Yes |  |
| | FT-0053-IL-WLT | Sediment Block - 10" Sediment 20 Micron Inline Filter – <i>Optional</i> | FT-0053 | Yes |  |
| Recommended Spare Parts | | | | | |
| 3 | 12-1500 | Solenoid Valve DC24V 1000mm <i>Recommend stocking 2 each per every 10 units purchased</i> | PU-4016 | Yes |  |
| 3.1 | CU-0001 | Solenoid Cushion <i>Recommend stocking 2 each per every 10 units purchased</i> | CU-0001 | Yes |  |
| 4 | NA | Drip Tray Grill <i>Recommend stocking 4 each per every 10 units purchased</i> | PL-0029-L00-BL | No |  |
| 5 | NA | Drip Tray Body <i>Recommend stocking 4 each per every 10 units purchased</i> | PL-0049-L00-BL-WLG | No |  |
| 6 | 10-4029 | Hot Tank (Pipe) 120V/500W - UVF2 1.6L with thermistor <i>Recommend stocking 2 each per every 10 units purchased</i> | HT-3024 | Yes |  |
| 6.1 | 12-1360 | Overload with Manual reset - 221° F (105° C) <i>Recommend stocking 2 each per every 10 units purchased</i> | HT-3012 | Yes |  |
| 7 | NA | Hot Water Faucet <i>Recommend stocking 2 each per every 10 units purchased</i> | PL-1382 | No |  |
| 8 | 12-8315 | UV 15 W 120V/60Hz Electronic Ballast <i>Recommend stocking 2 each per every 10 units purchased</i> | EN-0008-L01-00 | Yes |  |

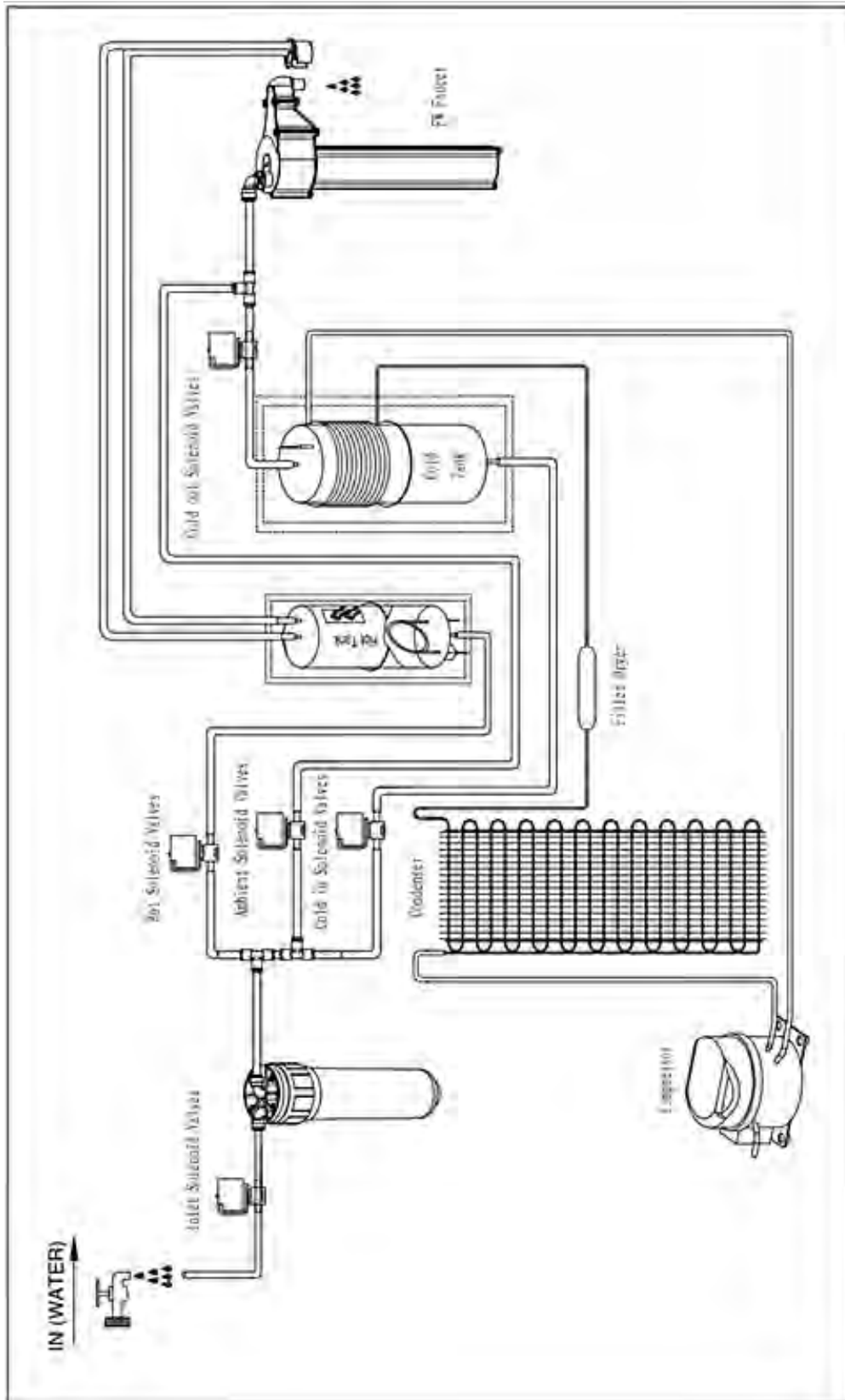
| | | | | | |
|------------------------|--------------------------|---|----------------|-----|---|
| Not Shown | 01-2076 | ScaleKleen <i>Recommend stocking 2 each per every 10 units purchased</i> | NA | Yes |  |
| Remaining Parts | | | | | |
| 9 | NA | Black Top Cover | PL-1381 | No |  |
| 10 | NA | Upper Shelf | ST-0034-L00-00 | No |  |
| 11 | NA | Leak Detection PCB | EN-6111-A | No |  |
| 12 | NA | 3minutes UV Timer PCB Fixing Bracket | ST-8287 | No |  |
| 13 | NA | Relay PCB | EN-0010-L00-00 | No |  |
| 14 | Purchase from John Guest | JG Equal Tee Connector 1/4" (PI0208S) | PU-4011-A | No |  |
| 15 | No | Power Transformer | EL-0016-L00-00 | Yes |  |
| 16 | Purchase from John Guest | JG Equal Elbow Connector 1/4" (PI0308S) | PU-4008 | No |  |
| 17 | NA | Firewall Assembly | FW-0015-L00-00 | No |  |
| 17.1 | NA | Firewall Bracket | FU-0002-B | No |  |
| 17.2 | FW-0008-L00-00 | Quartz Spiral – 22 Turns | FW-0008-L00-00 | Yes |  |

| | | | | | |
|------|---------|---|----------------|-----|---|
| 17.3 | NA | Firewall UV Fixing Rubber (Bung) | CT-2078-B | No |  |
| 17.4 | AK-0064 | UV Sensor with Wire | AK-0064 | Yes |  |
| 17.5 | NA | Spiral Rubber Buffer | FW-0020-L00-00 | Yes |  |
| 18 | NA | Cold Tank Assembly (4Liters, No UV holder, No sub-tank)- FW | CT-2017-A | No |  |
| 19 | 10-4002 | Side Panel | ST-8225 | Yes |  |
| 20 | 10-4004 | Black Plastic Handle | PL-1120 | Yes |  |
| 21 | 10-3083 | Unit Rubber Feet | ST-8016 | Yes |  |
| 22 | NA | Display PCB Cover Bracket | ST-8340 | No |  |
| 23 | NA | Display PCB | EN-0024-L00-00 | No |  |
| 24 | NA | LED PCB | EN-6139 | No |  |
| 25 | NA | Black Top Front Panel | PL-0017-L00-BL | No |  |
| 26 | NA | Top Front Button Cover | PL-1379 | No | |
| 27 | NA | Hot - Cold - Ambient Label | LP-0309-L00-00 | No |  |

| | | | | | |
|------|---------|---|-----------------------|-----|---|
| 28 | NA | Front Bottom Panel | PL-0020-L00-BL | No |  |
| 29 | 20-1010 | 2.8" Filter Clip | PU-4161 | Yes |  |
| 30 | 19-1016 | Filter Bracket | ST-8206-CN | Yes |  |
| 30.1 | 14-5011 | Drain valve and Cap 5/16" | CT-2028 and CT-2031-A | Yes |  |
| 30.2 | NA | Drain Valve Clamp 1/4" | CT-2044 | No |  |
| 31 | 12-1602 | Bottom Shelf | ST-8035 | Yes |  |
| 32 | NA | Leak Tray | PL-0095-L00-00 | No |  |
| 33 | 12-3180 | Leak Containment Tray Clip (sensor 0.5mm) | ST-8207-CN | Yes |  |
| 34 | 10-2200 | Compressor (R134a 1/8HP) 110V/60Hz | CO-9001-A | Yes |  |
| 34.1 | 10-3003 | Compressor Starter Relay | CO-9016 | Yes |  |
| 34.2 | 10-5018 | Compressor Overload | CO-9015 | Yes |  |
| 34.3 | 12-1001 | Filter Dryer | CO-9008 | Yes |  |
| 35 | 10-3067 | Bulkhead Union 1/4" x 1/4" John Guest P/N PI1208S | PU-4028-A | Yes |  |

| | | | | | |
|-----------|--------------------------|--|----------------|-----|---|
| 36 | 12-1000 | Wire Condenser | CO-9007 | Yes |  |
| 37 | NA | Power Socket | EL-0061-L00-00 | No |  |
| 37.1 | 19-1015 | Gasket for Power Socket | ST-8052 | Yes |  |
| 38 | EL-5053 | Fuse Holder and Fuse 120V / 15A with One Wire | EL-5053 | Yes |  |
| 38.1 | 10-3013 | Fuse 120V / 15A | EL-5010 | Yes |  |
| 39 | 12-5600 | Red Heater and Compressor Switch | EL-5019-A | Yes |  |
| 40 | 10-3009 | Switch - Heater/Compressor | EL-5005 | Yes |  |
| 41 | 12-1622 | Black Back Panel | ST-8028 | No |  |
| 42 | 19-1069 | Cold Tank Thermostat | CT-2070-A | Yes |  |
| 43 | 10-7040 | Silicon Tube 5/16" for hot water | PU-4064 | Yes |  |
| 44 | Purchase from John Guest | JG LLD PE Tube - Blue O.D.1/4"John Guest P/N PE-08-BI-1000F-B | PU-4031-A | No |  |
| 45 | Purchase from John Guest | JG Equal Straight Connector 1/4"(PI0408S) | PU-4010 | No |  |
| Not Shown | AK-0014-B | Flow Restrictor 1.8mm Hole <i>Before inlet to Cold Tank</i> | AK-0014-B | Yes |  |
| Not Shown | 10-3007 | Power Cord 120V – 1840 mm | EL-5001-B | Yes |  |

WL380 FLOW DIAGRAM



WL380 PRINCIPLES OF OPERATION

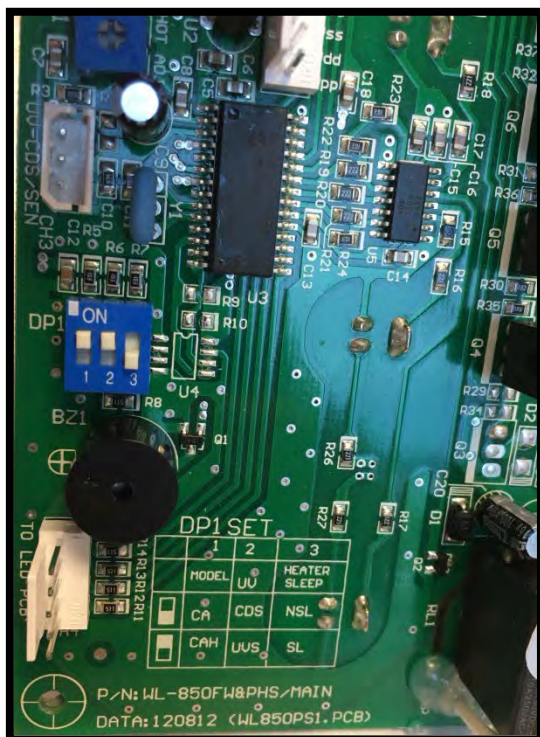
The **WL380** is a pressure fed machine that utilizes mains supply to push water through the unit to the faucet. The **WL380** provides Cold, Ambient, Hot and Extra Hot water with a modern touch-to-dispense interface. The **WL380** has a single cold tank (4-liter tower and 2 liter mini) and high efficiency cooling system. Filtration can be customized to meet your specific water conditions.

The patented Firewall purification system purifies the ambient and cold water before it is dispensed while providing a sanitary faucet and preventing outside contamination back into the water circuits. Our advanced UV sensor measures the dose of UV through the water stream to guarantee the safety of the water. The Firewall purification system will not allow unsafe water dispense and alarms the user if the system is inactive.

WL380 PROGRAMING

Factory Default Settings shown in **bold**:

- **Cold Temp Set = 41° F (5° C)** – Adjustable Thermostat on back access panel. Do not turn down past 36°F to avoid freezing risk.
- **Hot Temp Set = 189° F (87° C)** – Not Adjustable. Advanced thermistor technology used to provide precise accuracy and extend life of the hot tank control system.
- **Extra Hot Temp Set = 203° F (95° C)** – Not Adjustable.
- **Leak Detector = Enabled** – WL380 comes with built in leak tray in the base with leak detector pins. Water in tray will activate leak detection alarm and shut off inlet solenoid to prevent leaks.



- **Energy Saver Mode (Heater Sleep)**
Unit comes set with **energy saver or heater sleep mode enabled (SL)**. Heater will be disabled after 3 hours of machine inactivity (no icons selected). Turn Energy Saver off by moving pin 3 on dip switch 1 (DP1) located on front printed circuit board (PCB) to the NSL (no sleep) position.
- **Cold, Ambient, Hot (CAH) or Cold, Ambient (CA)**
WL380 hot water function can be disabled and the unit converted from a **Cold, Ambient, Hot, Extra-Hot (CHA)** to a Cold and Ambient (CA) only by moving pin 1 on dip switch 1 (DP1) located on front printed circuit board (PCB) to CA position.
- **UV Sensor Setting CDS or UVS**
Set to UV Sensor (**UVS**) for UV function. Do not change factory setting. Pin 2 on DP1 should be UVS.

WL380 ELECTRICAL DIAGRAM

⚠ DANGER! HIGH VOLTAGE ELECTRICAL HAZARD. PCB (Printed Circuit Board) contains High Voltage. Only trained and qualified technicians should attempt live testing.

