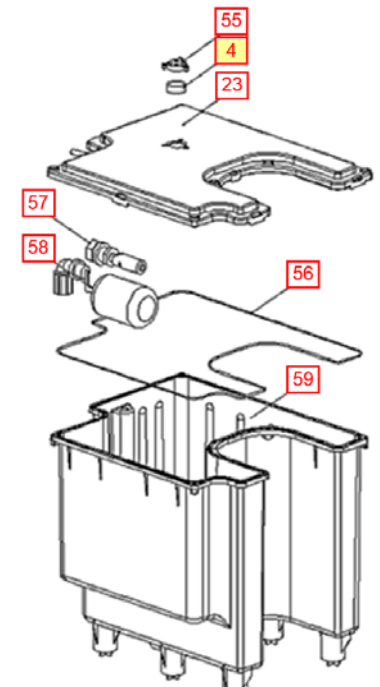
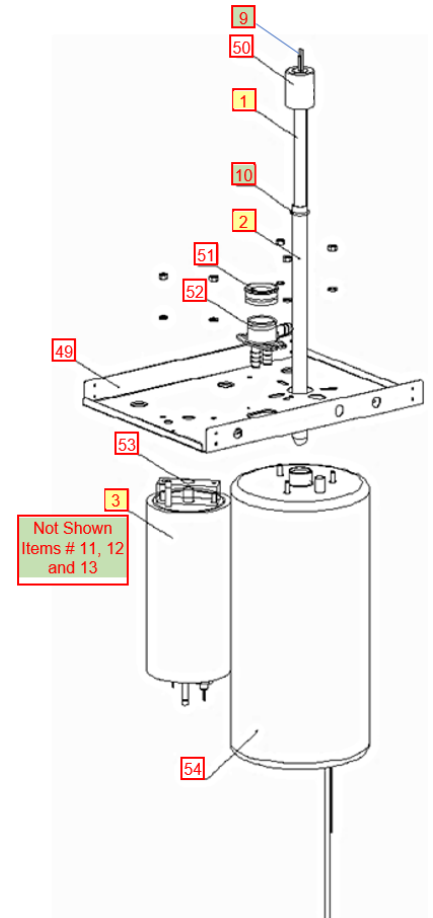
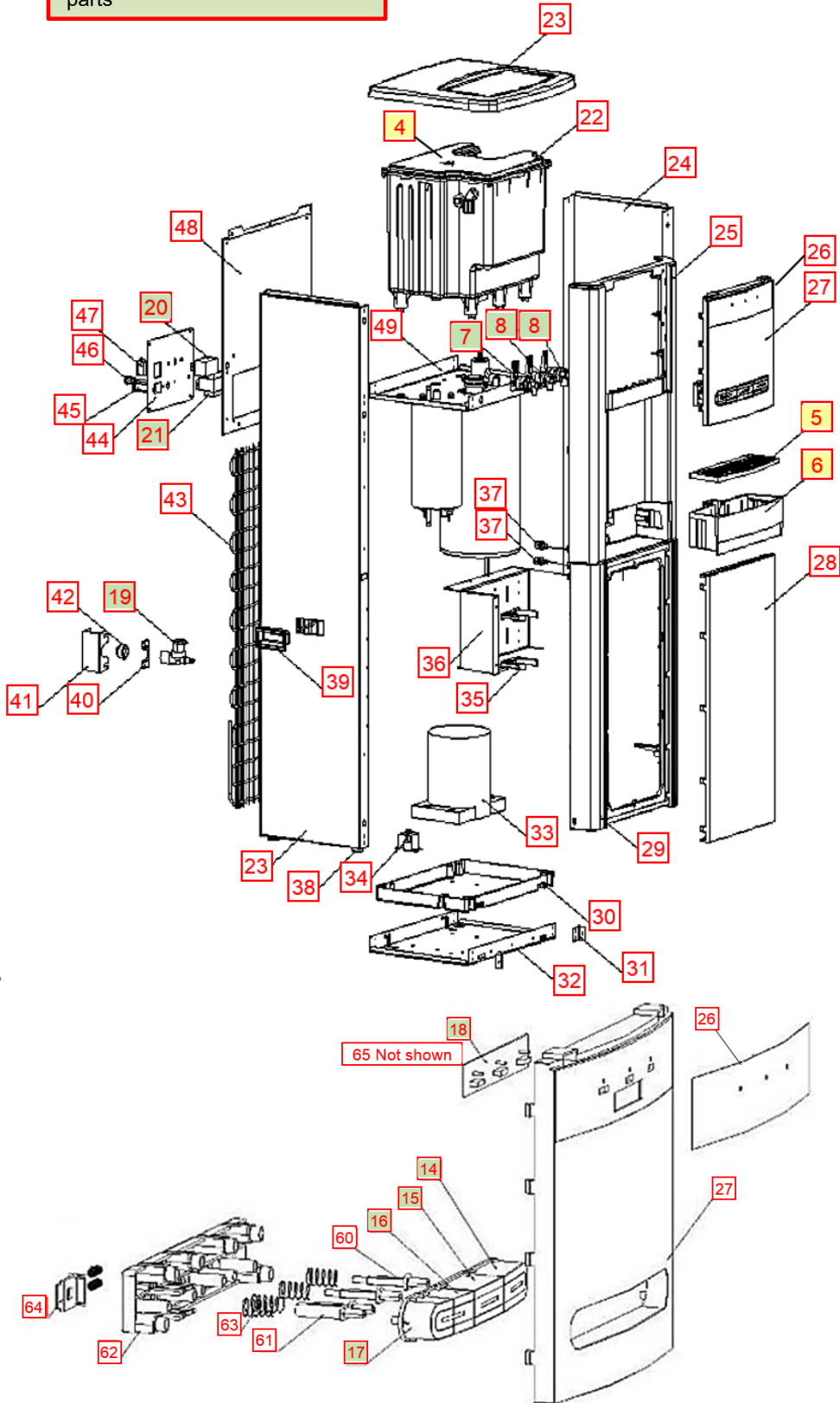


## WL270 DRAWINGS AND PARTS LISTS

Yellow = Consumables









Green = Recommended spare parts



No	WLCP Part No.	Description	Part No	Stocked?	
<b>Consumables</b>					
1	10-2350	UV Lamp 8W Assembly	CT-2083	Yes	
2	10-1400	Quartz Sleeve for 8W Lamp	CT-2002	Yes	
3	19-1071	Hot Tank Assembly 1.6 Liter 110V 600 W	HT-3028	Yes	
3.1	19-2065	Hot Tank Replacement Tube <i>Replace when replacing the Hot Tank</i>	AK-0067	Yes	
4	19-1052	Carbon Air Filter	PU-4108	Yes	
Not Shown	01-2076	Scale Kleen	NA	Yes	
<b>Recommended Spare Parts</b>					
5	19-2025	Black Drip Tray Grill <i>Recommend stocking 2 each for every 10 units purchased</i>	PL-1270	Yes	
	19-1048	Blue Drip Tray Grill <i>Recommend stocking 2 each for every 10 units purchased</i>	PL-1270-A	Yes	
6	19-2020	Black Drip Tray Body <i>Recommend stocking 2 each for every 10 units purchased</i>	PL-1289-B	Yes	
	19-1032	Blue Drip Body <i>Recommend stocking 2 each for every 10 units purchased</i>	PL-1289-F	Yes	
7	19-1050	Hot Water Faucet Assembly <i>Recommend stocking 1 each for every 10 units purchased</i>	PL-1260-D	Yes	
8	19-1051	Ambient and Cold Faucet Assembly <i>Recommend stocking 1 each for every 10 units purchased</i>	PL-1260-E	Yes	

8.1	19-1063	Faucet Silicon Stopper <i>Recommend stocking 1 each for every 10 units purchased</i>	PU-4117	Yes	
9	19-1074	Wire Harness Assembly <i>Recommend stocking 1 each for every 10 units purchased</i>	EL-5079	Yes	
10	10-2500	Black O-Ring for Quartz Sleeve <i>Recommend stocking 1 each for every 10 units purchased</i>	CT-2006	Yes	
11	19-1079	Overload with Manual reset 95°C (203°F) <i>Recommend stocking 2 each for every 10 units purchased</i>	HT-3035	Yes	
12	19-1078	Hot Tank Thermostat 83°C (181°F) <i>Recommend stocking 2 each for every 10 units purchased</i>	HT-3034	Yes	
13	12-6900	Thermostat and Overload Metal Cover <i>Safety Cover for Hot Tank Overload and Thermostat</i> <i>Recommend stocking 1 each for every 10 units purchased</i>	ST-8289	Yes	
14	19-1042	Mechanical Push Button for Ambient – Green <i>Recommend stocking 2 each for every 10 units purchased</i>	PL-1264	Yes	
15	19-1041	Mechanical Push Button for Cold – Blue <i>Recommend stocking 1 each for every 10 units purchased</i>	PL-1263	Yes	
16	19-1040	Push Button for Hot (Right) – Red <i>Recommend stocking 1 each for every 10 units purchased</i>	PL-1262	Yes	
17	19-1043	Hot Safety Push Button (Left) – Red <i>Recommend stocking 1 each for every 10 units purchased</i>	PL-1265	Yes	
18	19-1002	Display PCB <i>Recommend stocking 1 each for every 10 units purchased</i>	EN-6112	Yes	
19	19-1001	Inlet Solenoid valve 120V <i>Recommend stocking 1 each for every 10 units purchased</i>	PU-4096	Yes	
19.1	CU-0001	Solenoid Cushion <i>Recommend stocking 2 each for every 10 units purchased</i>	CU-0001	Yes	

20	10-3010	UV Lamp Ballast 110V/60Hz <i>Recommend stocking 1 each for every 10 units purchased</i>	EL-5006-A CN	Yes	
21	19-1069	Cold Tank Thermostat <i>Recommend replacing the Cold Thermostat Cover Label at the same time.</i> <i>Recommend stocking 1 each for every 10 units purchased</i>	CT-2070-A	Yes	
21.1	LP-0326	Cold Thermostat Cover Label <i>Recommend stocking 1 each for every 10 units purchased</i>	LP-0326-L00-00	Yes	
<b>Remaining Parts</b>					
22	19-5005	Black Top Cover	PL-1254	Yes	
	19-1033	Blue Top Cover	PL-1254-A	Yes	
23	19-1038	Reservoir Cover	PL-1259	Yes	
24	19-1019	Side Panel Silver	ST-8212	Yes	
25	19-1034	Top Front Panel for Drip Tray <i>*Also order Hot Water Safety Sticker – P/N LP-7169 WLCP PN 12-0001</i>	PL-1255	Yes	
25.1	12-0001	Hot Water Safety Sticker	LP-7169	Yes	
26	19-1014	Front Panel Display Sticker	LP-7180	Yes	
27	19-5010	Black Top Front Insert Panel	PL-1257	Yes	

	19-1036	Blue Top Insert Panel	PL-1257-A	Yes	
28	19-5015	Black Front Bottom Panel	PL-1149-A	Yes	
	19-1031	Blue Front Bottom Panel	PL-1149-B	Yes	
29	19-1035	Front Bottom Panel - Silver	PL-1256	Yes	
30	19-1049	Leak Tray	PL-1292	Yes	
31	19-1021	Side Panel Bracket	ST-8229	Yes	
32	12-1602	Bottom Shelf	ST-8035	Yes	
33	10-2200	Compressor (R134a 1/8HP) 120V/60Hz	CO-9001-A	Yes	
33.1	10-5018	Compressor Overload	CO-9015	Yes	
33.2	10-3003	Compressor Starter Relay	CO-9016	Yes	
34	19-1025	Leak Level Sensor Bracket	ST-8232	Yes	
35	10-3099	3" Filter Clip	PU-4024	Yes	

	10-3098	2" Filter Clip for In-Line Filter	PU-4025	Yes	
36	19-1016	Filter Bracket	ST-8206-CN	Yes	
37	14-5011	Drain valve cap (for 5/16" & 1/4" size)	CT-2028	Yes	
37.1	19-1049	Rubber O-Ring for Drain Hole	PL-1293	Yes	
37.5	NA	Drain Valve Clamp 5/16"	CT-2046	No	
38	10-3083	Unit Rubber Feet	ST-8016	Yes	
39	19-1030	Side Panel Plastic Handle	PL-1123	Yes	
40	19-1020	Inlet Solenoid Valve Fixing Bracket	ST-8214	Yes	
41	19-1026	Cover of Inlet Solenoid Valve	ST-8233	Yes	
42	19-1008	Inlet Solenoid Valve JG Adaptor 1/4 (CI320816S)	PU-4104	Yes	
43	19-1000	Wire Condenser for Gravity Fed	CO-9040	No	
44	19-1022	Back Panel Access Panel for Electronics Service <i>*Cannot replace due to the certification labeling required.</i>	ST-8230	No	
45	EL-0061-L00-00	Socket for Plug Connection	EL-0061-L00-00	Yes	

45.1	19-1015	Gasket for Power Socket	ST-8052	Yes	
46	10-3014	Fuse Holder and Fuse 120V / 15A with One Wire	EL-5053	Yes	
46.1	10-3013	Fuse 120V / 15A	EL-5010	Yes	
47	10-3008	Red Compressor and Heater Switch	EL-5004	Yes	
48	19-1017	Silver Back Panel <i>*Cannot replace due to the product identification, traceability of machine manufacturing.</i>	ST-8210	No	
49	19-1018	Upper Shelf	ST-8211	Yes	
50	12-1210	UV Lamp Retaining Threaded Nut	PL-1128	Yes	
51	19-1057	Silicon seal - for Inlet Port to Tanks	PU-4109	Yes	
52	19-1039	Water Inlet to Port to Tanks	PL-1261	Yes	
53	12-8006	Hot Tank Fixing Bracket 400mm for 1.6L	ST-8120	Yes	
54	19-1070	4 Liter Cold Tank	CT-2068	No	
55	19-1076	Air filter Silicon Cap	PL-1290	Yes	
56	19-1056	Reservoir Cover Seal (Silicon)	PU-4099	Yes	

57	19-1004	Water Level Controller with Wire	PU-4100	Yes	
58	19-1072	Floater Assembly	PU-4097	Yes	
58.1	19-1073	Floater fitting & Nut for Gravity	PU-4098	Yes	
58.2	19-1005	Leak Detection Floats Connection	EL-5131	Yes	
59	19-1037	Plastic Reservoir - 3 Gallons	PL-1258	Yes	
60	19-1046	Faucet Push pin	PL-1268	Yes	
61	19-1044	Hot Safety Push Button pin	PL-1266	Yes	
62	19-1047	Faucet Bracket	PL-1269	Yes	
63	NA	Faucet Spring	PL-1260-A6	No	
64	19-1045	Hot Safety Push Button Safety Lock	PL-1267	Yes	
65	NA	Display PCB Cover	PL-1347	No	
Not Shown	19-1023	RO Rail Bracket - Left Hand Side	ST-8231-A	Yes	
Not Shown	19-1024	RO Rail Bracket - Right Hand Side	ST-8231-B	Yes	
Not Shown	19-1074	Wire Harness Assembly	EL-5079	Yes	



Not Shown	10-3062	JG LLDPE Tube - Blue 8mm John Guest P/N PE-0806-100M-B	PU-4014-A	Yes	
Not Shown	Purchase from John Guest	JG LLD PE Tube - Blue O.D.1/4"John Guest P/N PE-08-BI-1000F-B	PU-4031A	No	
Not Shown	19-1099	Tubing – Room Temp Water to Faucet	NA	Yes	
Not Shown	10-7040	Silicon Tube 5/16" for Hot Water	PU-4064	Yes	
Not Shown	19-1003	Straight Connector for Silicon Tube	PU-4101	Yes	
Not Shown	19-1058	Silicon Elbow Tube 25*40 <i>Hot Tank Inlet Elbow</i>	PU-4110	Yes	
Not Shown	19-1060	Silicon Tubing <i>Hot Tank Outlet Tubing</i>	PU-4112	Yes	
Not Shown	10-3007	Power Cord 120V – 1825 mm	EL-5001-B	Yes	