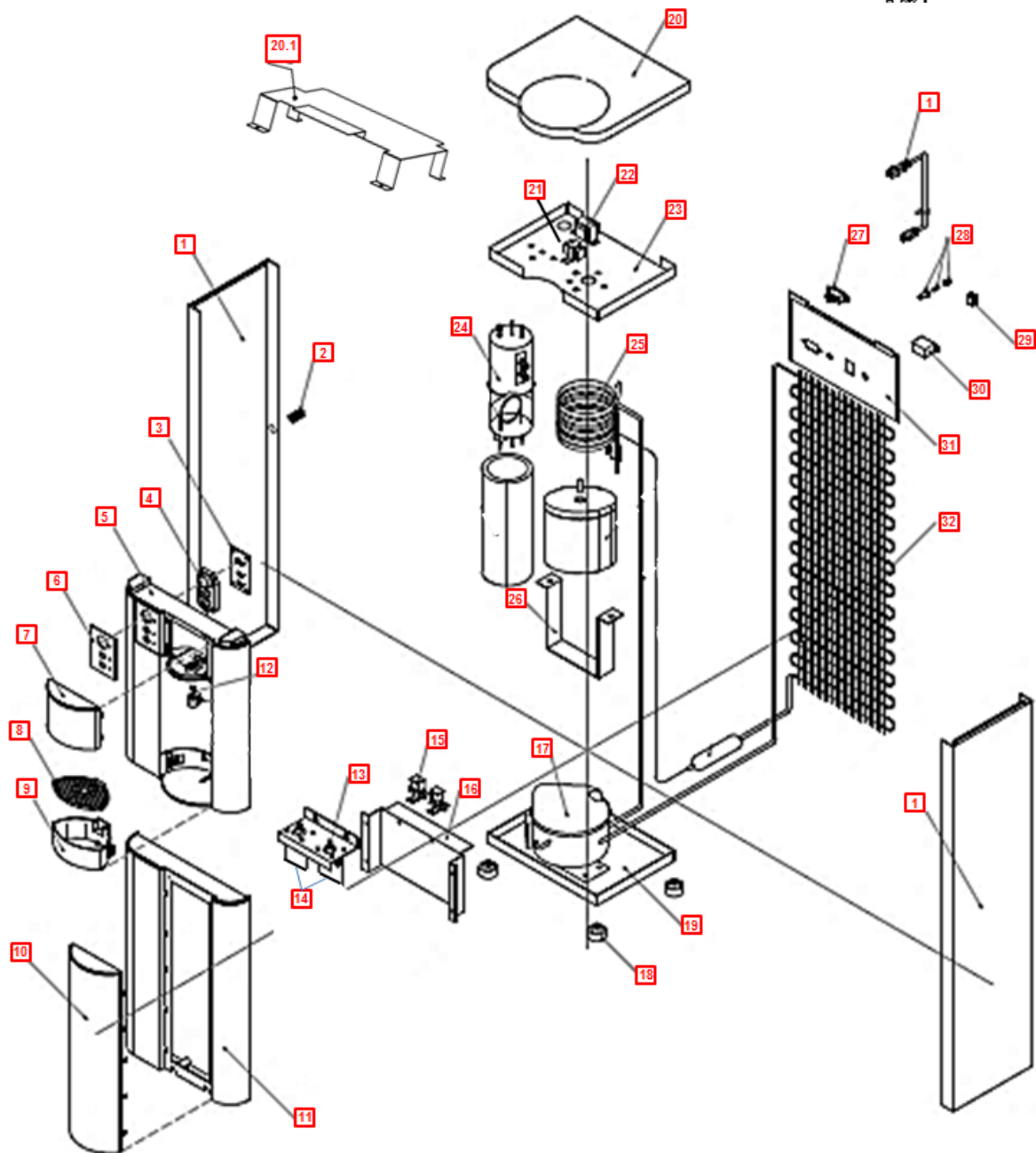
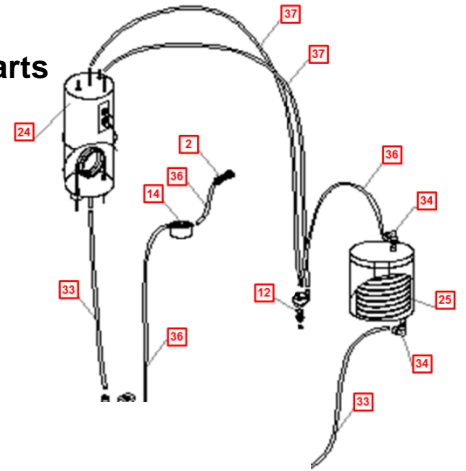


Waterlogic *infiniti* PARTS DRAWING AND PARTS LIST

Wetted Parts



Waterlogic infiniti PARTS DRAWING AND PARTS LIST

No	WLUSA Part No.	Description	Part No	Stocked?	
1	WLW	Side Panel – Charcoal Counter Top Only	ST-8236	WLW	
	11-2020	Side Panel – Charcoal Tower Only	ST-8153	WLW	
2	10-3067	Bulkhead Union ¼" x ¼" John Guest P/N PI1208S	PU-4028-A	Yes	
2.1	Purchase from John Guest	Stem Elbow Connector ¼" * ¼" – Acetal (John Guest PN PI220808S) Counter Top Only	PU-4066-A	No	
3	WLW	Display PCB	EN-0033-L00-00	WLW	
4	WLW	Dispensing Silicon Buttons	PL-0109-L00-00	WLW	
5	WLW	Drip Tray Insert Panel Charcoal	PL-1157	WLW	
5.1	NA	Hot Water Safety Sticker	NA	Yes	
6	WLW	Display Button Label	LP-7087	WLW	

7	WLW	Front Top Hatch Panel - Silver	PL-0108-L00-SI	WLW	
8	WLW	Drip Tray Grill - Silver	PL-1163-L00-SI	WLW	
9	WLW	Drip Tray - Silver - No Logo	PL-1162-L00-SI	WLW	
10	11-2030	Bottom Front Insert Panel – Silver Tower Only	PL-1160	WLW	
11	11-2015	Bottom Front Panel – Charcoal Tower Only	PL-1159	WLW	
12	WLW	Faucet Counter Top Only	PL-1011	WLW	
12.1	10-3048	Faucet Nipple – Blue with Screen	PL-1013	Yes	
13	WLW	Filter Bracket – Assembled to ST-8134 Tower Only	ST-8248	WLW	
14	WLW	Omnipure Non-Valved Head Q NON VALVED HEAD JJ	PU-4075	WLW	
15	12-1500	Solenoid Valve DC24V 1000mm	PU-4016	Yes	
16	WLW	Filter Bracket Counter Top Only	ST-8239	WLW	
	12-8005	Filter Bracket – Assembled to ST-8248 Tower Only	ST-8138	Yes	

	WLW	Rubber O-Ring for ST-8138 Filter Bracket Tower Only	PL-1208-CN	WLW	
17	10-2200	Compressor (R134a 1/8HP) 110V/60Hz	CO-9001-A	Yes	
18	12-3150	Unit Rubber Feet Counter Top Only	PL-1251-CN	Yes	
	10-3083	Unit Rubber Feet Tower Only	ST-8167-CN	Yes	
19	WLW	Bottom Shelf Counter Top Only	ST-8235	WLW	
	WLW	Bottom Shelf Tower Only	ST-8137	WLW	
19.1	WLW	Leak Tray Counter Top Only	PL-0116-L00-00	WLW	
	WLW	Leak Tray Tower Only	PL-1294-A	WLW	
19.2	WLW	Leak Sensor Wire Counter Top Only	EL-5076-KR	WLW	
	WLW	Leak Sensor Wire Tower Only	EL-5074-A	WLW	
19.3	12-3180	Leak Containment Tray Clip Sensor – 0.5mm	ST-8207-CN	Yes	
19.4	WLW	Main Wire Harness with Leak Detection Counter Top Only	EL-0090-L00-00	WLW	

	WLW	Main Wire Harness with Leak Detection Tower Only	EL-0089-L00-00	WLW	
20	WLW	Top Cover - Charcoal	PL-0107-L00-CS	WLW	
20.1	WLW	High Voltage Metal Cover (ETL Certification) – Under Top Cover Counter Top Only	ST-0080-L00-00	WLW	
21	WLW	Relay PCB	EN-0010-L00-00	WLW	
22	12-3117	Power Transformer	EL-5003-A	Yes	
23	WLW	Upper Shelf Countertop Only	ST-8234	WLW	
	12-8003	Upper Shelf – Tower Only	ST-8136-R2	Yes	
24	10-4029	Hot Tank 120V/500W - 1.6L with Thermistor	HT-3024	Yes	
24.1	12-1360	Overload with Manual reset - 221°F (105°C)	HT-3012	Yes	
25	12-3110	Cold Tank – 2L Counter Top Only	CT-2060	Yes	
	12-1100	Cold Tank – 4L	CT-2017	Yes	

26	12-8006	Hot Tank Fixing Bracket Tower Only	ST-8120	Yes	
27	10-4013	Power Line Noise Filter, ElectroMagnetic Interference Filter (EMI)	EL-5016	Yes	
28	10-3014	Fuse Holder and Fuse (120V / 15A) with One Wire	EL-5053	Yes	
28.1	10-3013	Fuse 120V / 15A	EL-5010	Yes	
29	10-3008	Red Power – Heater Switch	EL-5004	Yes	
30	12-1101	Cold Water Thermostat	CT-2016	Yes	
30.1	LP-0326	Cold Thermostat Cover Label	LP-0326-L00-00	Yes	
31	WLW	Back Panel Counter Top Only	ST-8328	No	
	WLW	Back Panel Tower Only	ST-8154	No	
32	12-3100	Wire Condenser Counter Top Only	CO-9031	Special Order	
	12-5102	Wire Condenser Tower Only	CO-9027	Special Order	
33	10-3062	LPDE Blue Tube 8mm (5/16") (John Guest PN PE-0806-100M- B)	PU-4014-A	Yes	

34	Purchase from John Guest	Reducing Elbow 5/16" to 1/4" elbow Connector (John Guest PN PI211008S)	PU-4007-A	No	
35	Purchase from John Guest	Equal Tee Connector 1/4" (John Guest PN P10208S)	PU-4011-A	No	
36	Purchase from John Guest	LPDE Blue Tube 1/4" (John Guest PN PE-08-BI-1000F-B)	PU-4031-A	No	
37	10-7040	Silicon Tube for Hot Water 5/16"	Pu-4064	Yes	
Not Shown	12-1210	UV Lamp Retaining Threaded Nut Counter Top Only	PL-1128	Yes	
Not Shown	10-8085	UV Lamp Silicon Fixing Rubber Counter Top Only	CT-2001-B	Yes	
Not Shown	WLW	Quartz Sleeve (100mm) Counter Top Only	CT-2062-CN	WLW	
Not Shown	10-2500	Black O-Ring for Quartz Sleeve Counter Top Only	CT-2006	Yes	
Not shown	10-3017	Plastic PCB Support	EN-6059	Yes	
Not Shown	10-3007	Power Cord 120V – 18240mm	EL-5001-b	Yes	