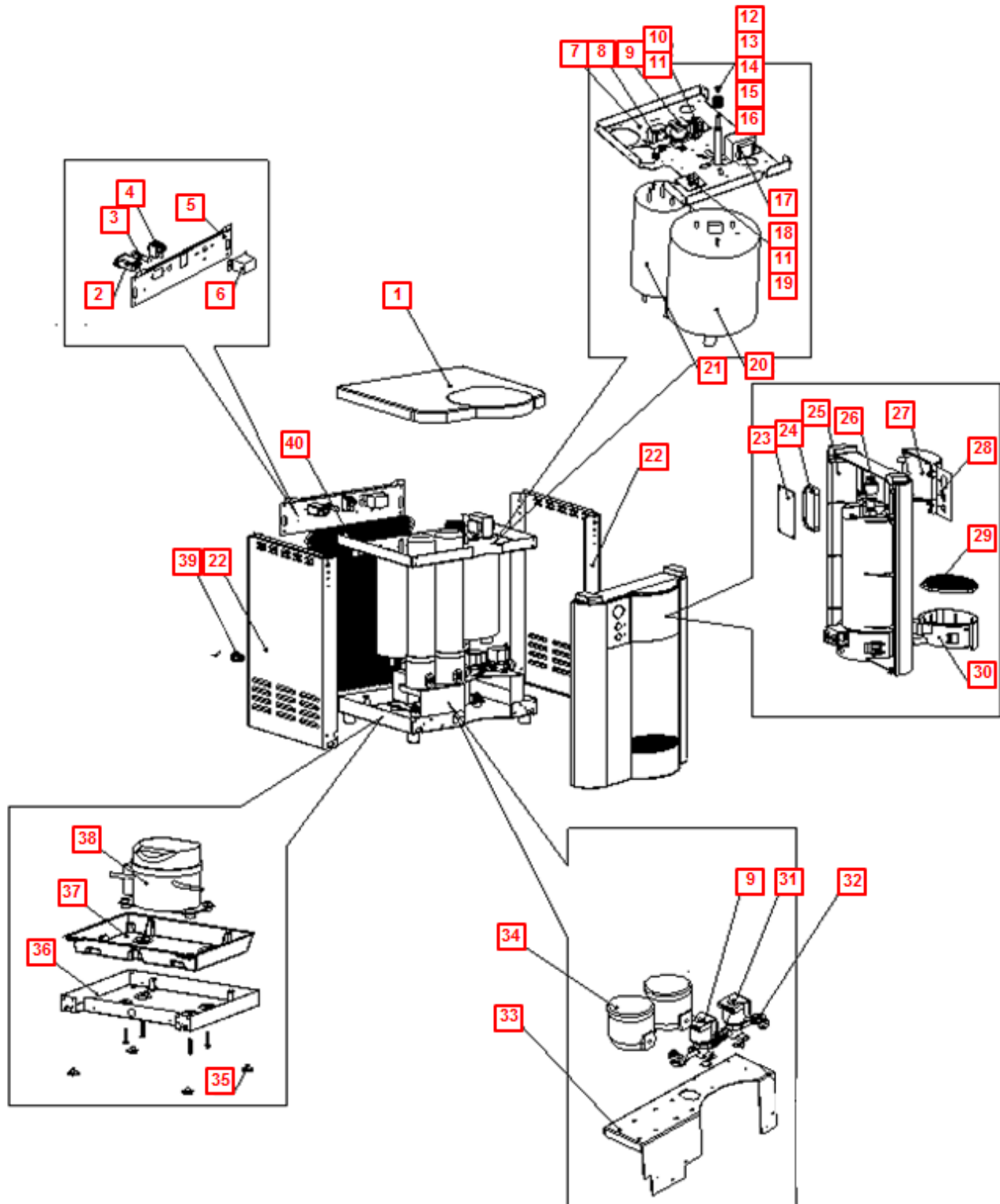


Waterlogic infiniti UV COUNTER TOP PARTS DRAWING AND PARTS LIST



No	Part No	Description	WLCP PN	
1	PL-0107-L00-CS	Top Cover – Charcoal	NA	
1.1	ST-0080-L00-00	High Voltage Metal Cover (ETL-Certification) Counter Top Only	NA	
2	EL-5016	Socket with ElectroMagnetic Interference Filter (EMI)	10-4013	
3	EL-5053	Fuse Holder and Fuse 120V / 15A with One Wire	10-3014	
3.1	EL-5010	Fuse 120V / 15A	10-3013	
4	EL-5004	Red Compressor and Heater Switch	10-3008	
5	ST-8238	Back Panel – Charcoal Counter Top Only	NA	
6	CT-2016	Cold Tank Thermostat	12-1101	
7	ST-8234	Upper Shelf Counter Top Only	NA	
8	EL-5006-A CN	UV Lamp Ballast 110V/60Hz	10-3010	
9	PU-4016	Solenoid Valve DC24V 1000mm	12-1500	
9.1	CU-0001	Solenoid Cushion	CU-0001	

10	EN-0010-L00-00	Relay PCB	NA	
11	EN-6059	Plastic PCB Support	10-3017	
12	CT-2001-B	UV Lamp Fixing Rubber (Silicon) (Supplied with CT-2060 UV Lamp 4W)	10-8085	
13	PL-1128	UV Lamp Retaining Threaded Nut	12-1210	
14	CT-2006	Black O-Ring for Quartz Sleeve	10-2500	
15	CT-2084	UV Lamp 4W Assembly Counter Top Only	12-2350	
15.1	CT-2061A	UV Lamp Lead Wire & Starter 110V for 4W Counter Top Only	12-8110	
16	CT-2026	Quartz Sleeve for 4W Lamp Counter Top Only	14-1051	
17	EL-5003-A	Power Transformer 120V	12-3117	
18	AK-0008-A	3 Minute Timer PCB	12-8510	
19	EN-6059-A	Plastic PCB Supports (One side)	NA	
20	CT-2060	2L UV Cold Tank Counter Top Only	12-3110	

20.1	LP-0326-L00-00	Cold Thermostat Cover Label	LP-0326	
21	HT-3024	Hot Tank 120V/500W - 1.6L	10-4029	
21.1	HT-3012	Overload with Manual reset - 221°F (105°C)	12-1360	
22	ST-8236	Side Panel – Charcoal Counter Top Only	NA	
23	EN-0033-L00-00	Display PCB	NA	
23.1	EN-6082	Jumper Pin	20-1005	
24	PL-0109-L00-00	Dispensing Silicon Buttons	NA	
25	PL-1157	Drip Tray Insert Panel Charcoal	11-2085	
26	PL-1011	Faucet Assembly - Hot and Cold	10-2700	
26.1	CT-2007	Natural Faucet O-Ring – Silicon White	10-2600	
26.2	PL-1013	Faucet Nipple – Blue with Screen	10-3048	

27	PL-0127-L00-00-INF	Top Insert Hatch Panel - Silver	NA	
28	LP-7087	Display Button Label	NA	
29	PL-1163-L00-SI	Drip Tray Grill - Silver	NA	
30	PL-1162-L00-SI	Drip Tray - Silver - No Logo	NA	
31	PU-4011-A	JG Equal Tee Connector 1/4" (PI0208S)	Purchase from John Guest	
32	PU-4008-A	JG Equal Elbow Connector 1/4" (PI0308S)	Purchase from John Guest	
33	ST-8239	Filter Bracket Counter Top Only	NA	
34	PU-4075	Omnipure Non-Valved Head (Q NON VALVED HEAD JJ)	NA	
35	PL-1251-CN	Unit Rubber Feet Counter Top Only	12-3150	
36	ST-8235	Lower Shelf Counter Top Only	NA	
37	PL-0116-L00-00	Leak Tray Counter Top Only	NA	
37.1	ST-8207-CN	Leak Containment Tray Clip (sensor 0.5mm)	12-3180	

37.2	EL-5076-KR	Leak Sensor Wire	NA	
38	CO-9001-A	Compressor (R134a 1/8HP) 110V/60Hz	10-2200	
39	PU-4028-A	Bulkhead Union 1/4" x 1/4" John Guest P/N PI1208S	10-3067	
40	CO-9031	Wire Condenser Counter Top Only	12-3100	
Not Shown	EL-5001-A	Power Cord 120V – 1825 mm	11-2005	
Not Shown	PU-4007-A	JG Reducing Elbow Connector 5/16" * 1/4" (PI211008S)	Purchase from John Guest	
Not Shown	PU-4014-A	JG LLDPE Tube - Blue 8mm John Guest P/N PE-0806-100M-B	10-3062	
Not Shown	PU-4031-A	JG LLD PE Tube - Blue O.D.1/4" John Guest P/N PE-08-BI-1000F-B	Purchase from John Guest	
Not Shown	PU-4064	Silicon Tube 5/16" for hot water	10-7040	