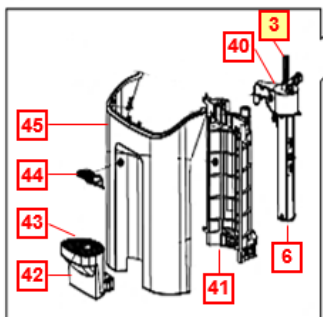
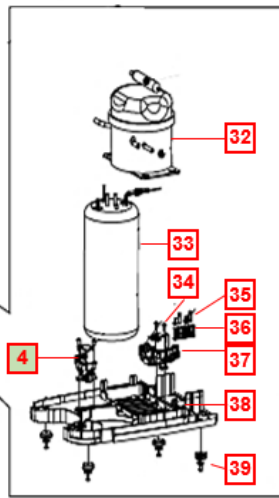
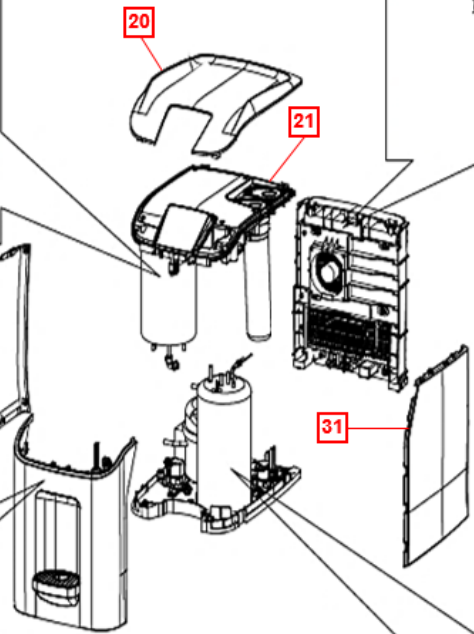
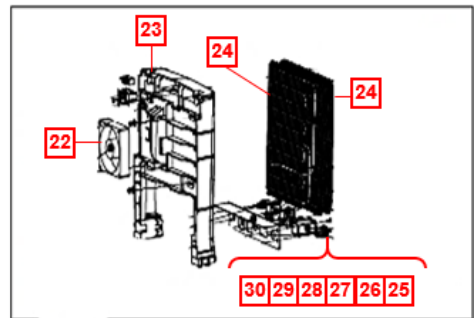
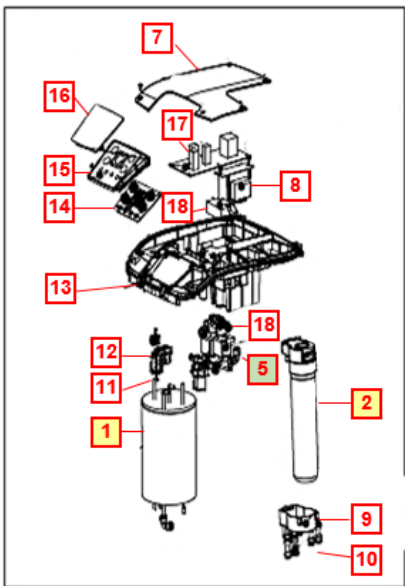
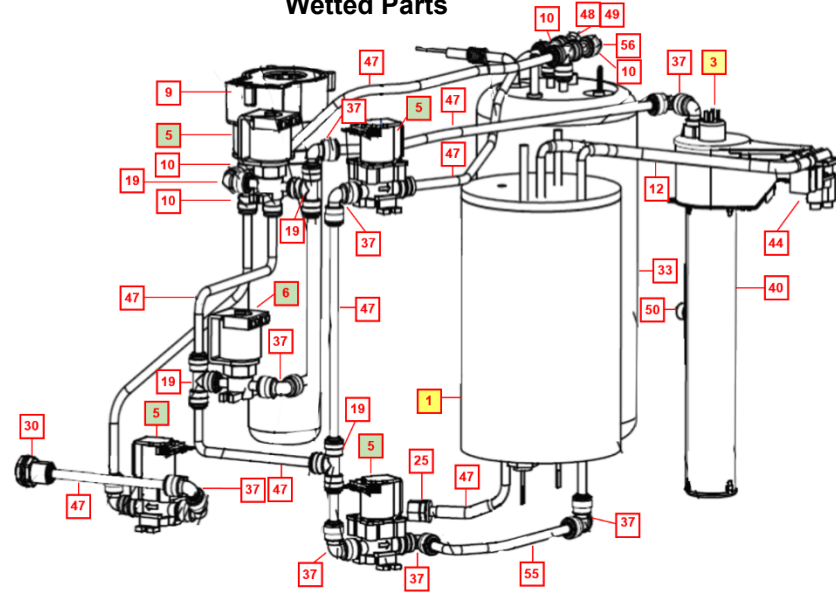










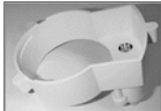

### CUBE DRAWINGS

Yellow = Consumables  
 Green = Recommended spare parts

#### Wetted Parts



### CUBE PARTS LIST

No	WLCP Part No.	Description	Part No	Stocked?	
<b>Consumables</b>					
1	HT-0001-I00	Hot Tank – 1.3-liter 120V/500W	HT-0001-I00	Yes	
2	NA	10" Sediment 20 Micron Filter Assembly with Housing – CLICK IN CLICK OUT  <i>*Filter Element Only – Part Number: FT-0055-WLT</i>	FT-0003-L00-00	Element Stocked	
3	10-8075	13W UV Lamp Assembly	CT-2090-C	Yes	
<b>Recommended Spare Parts</b>					
4	12-5665	Solenoid Valve with Terminal at Outlet Position <i>Recommend Stocking 2 each per every 10 units purchased</i>	PU-4164-L00-00	Yes	
5	12-1500	Solenoid Valve DC24V 1000mm <i>Recommend Stocking 2 each per every 10 units purchased</i>	PU-4016	Yes	
<b>Remaining Parts</b>					
6	FW-0008-L00-00	Spiral Quartz	FW-0008-L00-00	Yes	
7	NA	Electronics Cover	PL-1384	No	
8	EL-0016-L00-00	Power Transformer	EL-0016-L00-00	Yes	
9	NA	CICO Filter Bracket	FT-0008-L00-00	No	
10	NA	JG Reducing Straight Connector 5/16-1/4 (PI201008S)	PU-0005-I00-00	No	

11	10-3062	JG LLDPE Tube - Blue 8mm John Guest P/N PE-0806-100M-B	PU-4014	Yes	
12	10-7040	Silicon Tube 5/16" for hot water	PU-4064	Yes	
13	NA	Upper Shelf	PL-1385	No	
14	NA	Key and Display PCB	EN-6141	No	
15	NA	User Interface PCB Bracket	PL-1394	Yes	
16	LP-7326	User Interface Overlay Label	LP-7326	Yes	
17	EN-6140-LB0-00	Main PCB	EN-6140-LB0-00	Yes	
18	12-8315	UV 15 W 120V/60Hz Electronic Ballast	EN-0008-L01-00	Yes	
19	Purchase from John Guest	JG Equal Tee Connector 1/4" (PI0208S)	PU-4011	No	
20	NA	Top Cover	PL-1383	No	
21	NA	Firewall™ Access Cover	PL-0086-L00-00	No	
22	NA	Fan Motor (DC 24V)	CT-2094	No	
23	NA	Back Panel	PL-1386	No	

24	NA	Cooling Wire Condenser	CO-9050	No	
25	14-5011	Drain Valve Body and Cap 5/16"	CT-2028 and CT-2031-A	Yes	
26	10-3009	Green Heater/Compressor Switch	EL-5005	Yes	
27	10-3008	Red Compressor and Heater Switch	EL-5004	Yes	
28	NA	Fuse 120V 15A with wire	EL-0021-L00-00	No	
29	19-1090	Power Line Noise Filter, ElectroMagnetic Interference filter (EMI)	EL-5029	Yes	
30	10-3067	Bulkhead Union 1/4" x 1/4" John Guest P/N PI1208S	PU-4028-A	Yes	
31	NA	Left Side Panel	PL-1389	No	
32	10-2200	Compressor (R134a 1/8HP) 110V/60Hz	CO-9001-A	Yes	
32.1	10-5018	Compressor Overload (LG Compressor)	CO-9015	Yes	
32.2	10-3003	Compressor Starter Relay	CO-9016	Yes	
33	NA	Cold Tank 1.4 Liter	CT-2093	No	
33.1	CT-2081	Cold Water Sensor	CT-2081	Yes	

34	Purchase from John Guest	JG Stem Elbow Connector 1/4" * 1/4" - Acetal PI220808S)	PU-4066-A	No	
35	12-3180	Leak Containment Tray Clip (sensor 0.5mm)	ST-8207-CN	Yes	
36	PL-1311	Leak Detection Sensor Bracket	PL-1311	Yes	
37	Purchase from John Guest	JG Equal Elbow Connector 1/4" (PI0308S)	PU-4008	No	
38	NA	Base Plate	PL-1387	No	
39	NA	Rubber Foot	ST-8350	No	
40	NA	FW 4 Mark VI AL Mirror with bracket. (No Gauze)	FW-0013-I00-00	No	
41	NA	Front Frame Panel	PL-1391	No	
42	NA	Drip Tray Body	PL-1392-L00-MB	No	
43	NA	Drip Tray Grill	PL-1393	No	
44	NA	Spout Assembly Bracket	PL-1395	No	
45	NA	Front Cover	PL-1390	No	

46	NA	Right Side Panel	PL-1388	No	
47	Purchase from John Guest	JG LLD PE Tube - Blue O.D.1/4" John Guest P/N PE-08-BI-1000F-B	PU-4031	No	
48	Purchase from John Guest	JG 1/4" Stopper PI0808S (used with Bulkhead Union 1/4" x 1/4" John Guest P/N PI1208S)	PU-4086	No	
49	AK-0014-B	Flow Restrictor for Sparkling Water (1,8 mm hole)	AK-0014-B	Yes	
50	AK-0064	UV Sensor with Wire	AK-0064	Yes	
50.1	NA	UV Sensor Metal Bracket	FU-0012	No	
Not Shown	10-3007	Power Cord 120V – 1840 mm	EL-5001-B	Yes	
In Tray	NA	Pressure Reducer for Incoming Water Outside of Machine.  <i>*WLCP PN PU-4163 for substitution</i>	PU-0013-L00-00	Yes	